



feeney® 

Awning Kits

Stationary Awnings for Doors and Windows



Feeney's new line of high-quality stationary awnings are designed to provide maximum protection in a wide variety of climates, while providing customers with a beautiful exterior accent.

Key features

- Durable, powder coated finishes adhere to **AAMA-2604 coating specifications** for superior color retention, impact resistance and weather protection
- Engineered to withstand **high snow/wind loads of up to 35.5 psf**
- Strong polycarbonate **UV two sided** panels for high levels of protection from the elements
- Awning is **fully assembled** for easy installation
- **Class 4 impact rated** (ANSI/FM 4473) - the industry's highest hail test standard
- Modular design gives customers the opportunity to select the components they need for their specific project
- Features a **built-in rain gutter**

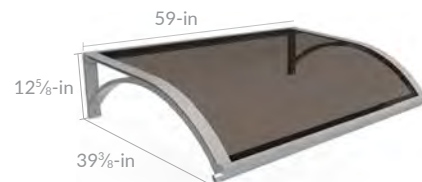
STEP

1

Choose a style

Use a base kit to start your awning project and add on extensions as needed. Awnings are available in two designs.

ICON® BASE KIT



ERA® BASE KIT



CLASS

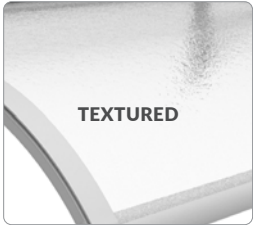


IMPACT
RATED



STEP 2 Select options

POLYCARBONATE PANEL OPTIONS



FRAME COLOR OPTIONS

Durable, powder coated finishes adhere to AAMA-2604 coating specifications for superior color retention, impact resistance, and weather protection.



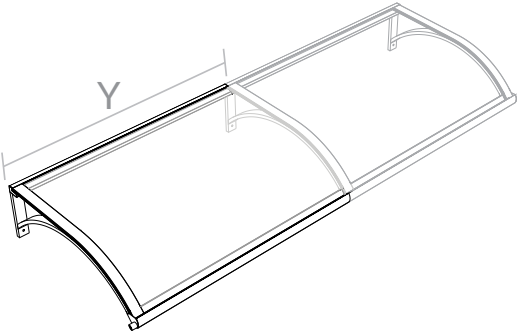
BRIGHT WHITE	MATTE BLACK
MODERN WHITE	TEXTURED BLACK
COFFEE CREAM	SPARKLING CHAMPAGNE
SILVER	BRONZE
DOVE GRAY	OIL RUBBED BRONZE
IRON GRAY	BRICKYARD RED
BLUE STEEL	COMMODORE BLUE
	HARTFORD GREEN

STEP 3 Choose extension kits

EXTENSION KIT

Increase your coverage with this kit.

	Y
Icon®	56 ⁵ / ₈ -in
Era®	56 ⁵ / ₈ -in

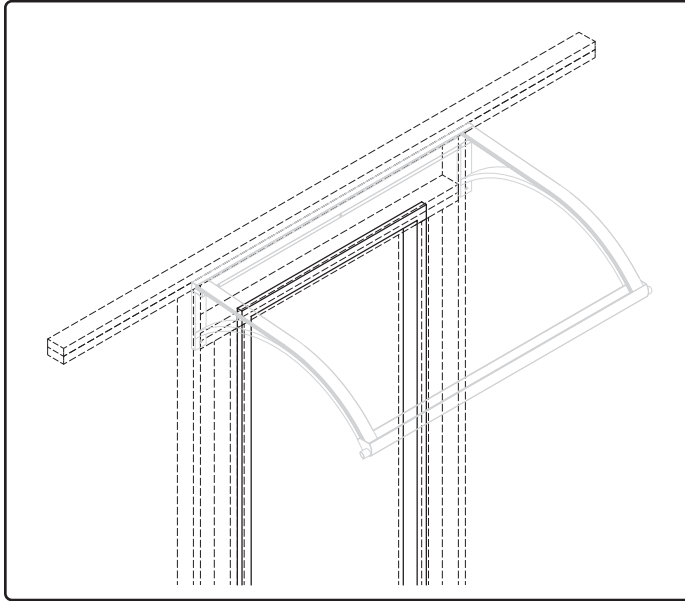


STEP

4

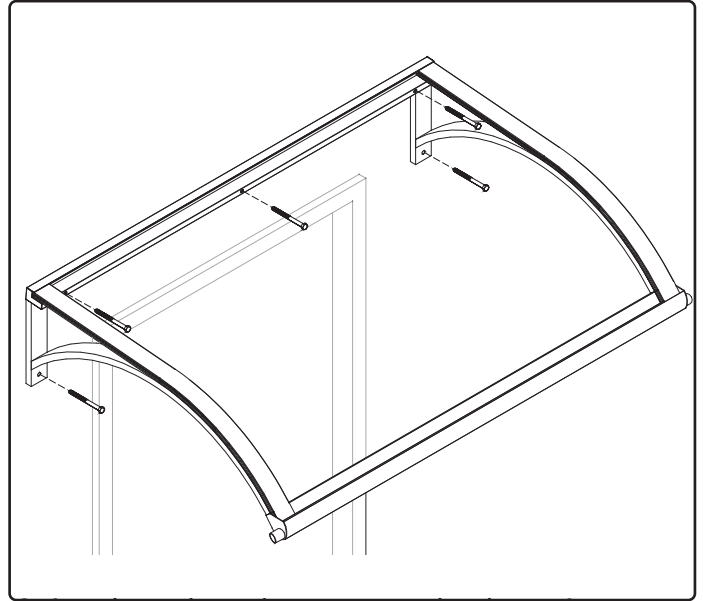
Easy Installation

1 POSITION AND PRE-DRILL



Determine location of awning on wall, and ensure blocking or structure exists at the attachment points. Pre-drill at mounting hole locations, based on specific fastener requirements.

2 ATTACH AND SEAL



Attach awning using necessary hardware for mounting substrate. Use weatherproof sealant between awning and mounting surface, and along top and side joints.

Care & maintenance

- As necessary, clean the awning frame with mild soap and water using a non-abrasive sponge or cloth. Be sure to wipe-up any bird droppings or sap drips as soon as possible to avoid possible staining or discoloration.
- Rinse with cold water and dry with a soft cloth to prevent water spotting. Do not clean the polycarbonate panel in hot sun or high temperatures, as this may cause stains.
- Never use steel wool, sandpaper, acid, bleach, strong alkaline or other abrasive or caustic materials on your awnings as they may cause permanent damage to the finish or the polycarbonate panel. Do not scrape the panel with squeegees, blades or other sharp instruments.
- Periodically check to see that all components and screw connections are tight. Secure and re-tighten as needed. Clean any debris that may have accumulated in the gutters to prevent blocking of the holes for water drainage.
- If using touch-up paint on the frame, be sure the surface being painted is clean and dry. Always follow the painting instructions on the product label.



www.feeneyinc.com
1-800-888-2418

Reorder #16701 1/23

AVAILABLE AT: