

ITEM: JAW TURNBUCKLE

MATERIAL: TYPE 316 STAINLESS STEEL.

FITTING TYPE: ADJUSTABLE CABLE END TURNBUCKLE FOR ATTACHING & TENSIONING LINES.

SWAGE TYPE: MACHINE HEX SWAGE AT FACTORY (1/8" & 3/16" SIZES ALSO AVAILABLE IN CABLECRIMP HAND SWAGE STYLE FOR ATTACHING IN THE FIELD).

POST TYPE: METAL OR WOOD. (POSTS NOT INCLUDED).

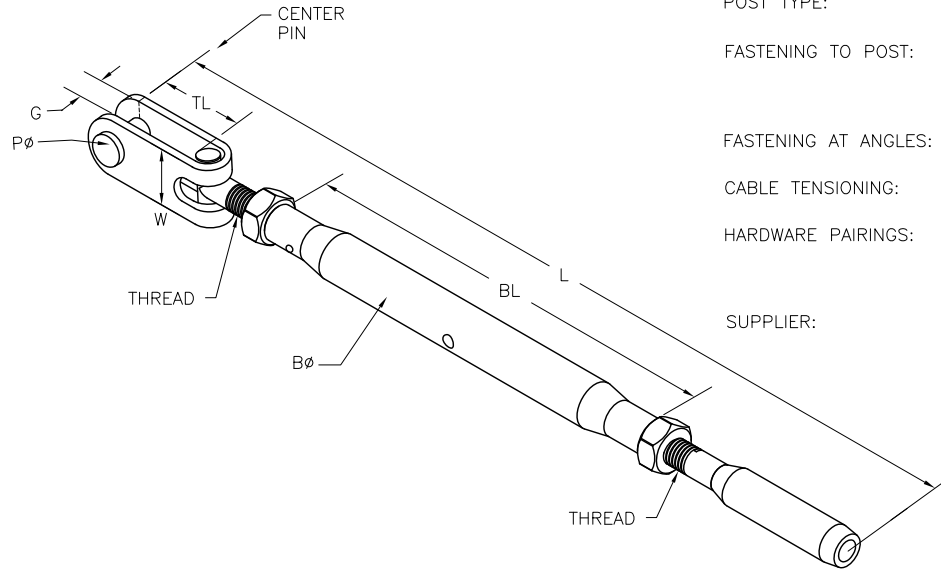
FASTENING TO POST: ATTACH TO EYE BOLTS, LAG EYES, EYELETS OR WELDED TAB EYES ON END/TERMINATION POST OR WALL USING REMOVABLE CLEVIS PIN.

FASTENING AT ANGLES: TURNBUCKLE PIVOTS UP TO 180 DEGREES AT CLEVIS PIN

CABLE TENSIONING: ADJUST BY TURNING TUBULAR TURNBUCKLE BODY.

HARDWARE PAIRINGS: USUALLY PAIRED WITH FIXED JAW END OR ANOTHER JAW TURNBUCKLE. MAY ALSO USE ANY OTHER TENSION ADJUSTMENT FITTING OR FIXED END.

SUPPLIER: FEENEY ARCHITECTURAL PRODUCTS



JAW TURNBUCKLE, STAINLESS STEEL

PART#	SWAGE TYPE	CABLE SIZE	THREAD SIZE	PIN DIA. (Pφ)	THROAT (TL)	GRIP (G)	FLANGE WIDTH (W)	BODY LENGTH (BL)	BODY DIA (Bφ)	LENGTH CLOSED (OPEN) (L)	ATTACHMENT POST PIN DRILL HOLE φ
3270	MACHINE	1/8"	1/4-28	1/4"	15/16"	5/16"	5/8"	4-1/2"	7/16"	7-3/4" (10-3/4")	5/16"
3271	MACHINE	3/16"	1/4-28	1/4"	15/16"	5/16"	5/8"	4-1/2"	7/16"	8-1/4" (11-1/4")	5/16"
3332	MACHINE	1/4"	5/16-24	5/16"	1"	3/8"	3/4"	5-1/8"	1/2"	9-1/4" (13")	3/8"
3268	CABLECRIMP	1/8"	1/4-28	1/4"	15/16"	5/16"	5/8"	4-1/2"	7/16"	8-1/2" (11-1/2")	5/16"
3269	CABLECRIMP	3/16"	1/4-28	1/4"	15/16"	5/16"	5/8"	4-1/2"	7/16"	8-3/4" (11-3/4")	5/16"

CableRail Reference Drawing:
JAW TURNBUCKLE

THIS DRAWING IS THE PROPERTY OF FEENEY INC. ANY REPRODUCTION OF THIS DOCUMENT WITHOUT THE EXPRESSED WRITTEN CONSENT OF FEENEY INC. IS STRICTLY PROHIBITED.

DATE:	05/15/13
PAGE:	1 of 1
REV:	
BY:	DSY
CHK:	BWA

feeney
makes it easy
2603 Union St., Oakland, CA 94607
P: 800-888-2418 F: 510-893-9484
www.feeneyinc.com