

ITEM: SLEEKLINE JAW TURNBUCKLE

MATERIAL: TYPE 316 STAINLESS STEEL.

FITTING TYPE: ADJUSTABLE CABLE END TURNBUCKLE FOR ATTACHING & TENSIONING LINES. SMOOTH, ATTRACTIVE APPEARANCE WITHOUT ANY EXPOSED THREADS OR SWAGE ENDS.

SWAGE TYPE: CAN BE MACHINE SWAGED IN FACTORY BUT BEST SUITED FOR FIELD ATTACHMENT USING CABLECRIMP HAND SWAGE STYLE.

POST TYPE: METAL OR WOOD. (POSTS NOT INCLUDED).

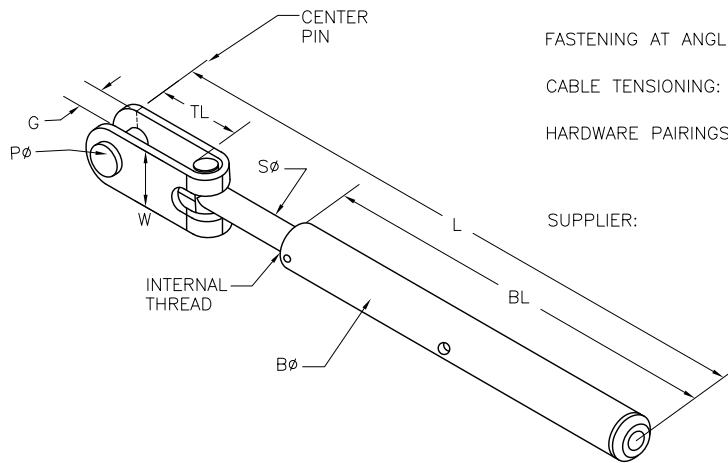
FASTENING TO POST: ATTACH TO EYE BOLTS, LAG EYES, EYELETS OR WELDED TAB EYES ON END/TERMINATION POST OR WALL USING REMOVABLE CLEVIS PIN.

FASTENING AT ANGLES: TURNBUCKLE PIVOTS UP TO 180 DEGREES AT CLEVIS PIN.

CABLE TENSIONING: ADJUST BY TURNING TUBULAR TURNBUCKLE BODY.

HARDWARE PAIRINGS: USUALLY PAIRED WITH FIXED JAW END OR ANOTHER SLEEKLINE JAW END TURNBUCKLE. MAY ALSO USE ANY OTHER TENSION ADJUSTMENT FITTING OR FIXED END.

SUPPLIER: FEENEY ARCHITECTURAL PRODUCTS



SLEEKLINE JAW TURNBUCKLE, STAINLESS STEEL

PART#	SWAGE TYPE	CABLE SIZE	PIN DIA. (Pφ)	THROAT (TL)	GRIP (G)	FLANGE WIDTH (W)	SHAFT DIA (Sφ)	BODY LENGTH (BL)	BODY DIA (Bφ)	LENGTH CLOSED (OPEN) (L)	ATTACHMENT POST PIN DRILL HOLE φ
3295	MACHINE	1/8"	1/4"	15/16"	5/16"	5/8"	1/4"	4-3/4"	1/2"	6-3/8" (8")	5/16"
3296	MACHINE	3/16"	1/4"	15/16"	5/16"	5/8"	1/4"	4-3/4"	1/2"	6-3/8" (8")	5/16"
3297	CABLECRIMP	1/8"	1/4"	15/16"	5/16"	5/8"	1/4"	4-3/4"	1/2"	6-3/8" (8")	5/16"
3299	CABLECRIMP	3/16"	1/4"	15/16"	5/16"	5/8"	1/4"	4-3/4"	1/2"	6-3/8" (8")	5/16"

CableRail Reference Drawing:  
**SLEEKLINE JAW END TURNBUCKLE**

THIS DRAWING IS THE PROPERTY OF FEENEY INC. ANY REPRODUCTION OF THIS DOCUMENT WITHOUT THE EXPRESSED WRITTEN CONSENT OF FEENEY INC. IS STRICTLY PROHIBITED.

DATE: 05/15/13  
PAGE: 1 of 1  
REV:  
BY: DSY  
CHK: BWA

**feeney**  
*makes it easy*  
2603 Union St., Oakland, CA 94607  
P: 800-888-2418 F: 510-893-9484  
www.feeneyinc.com