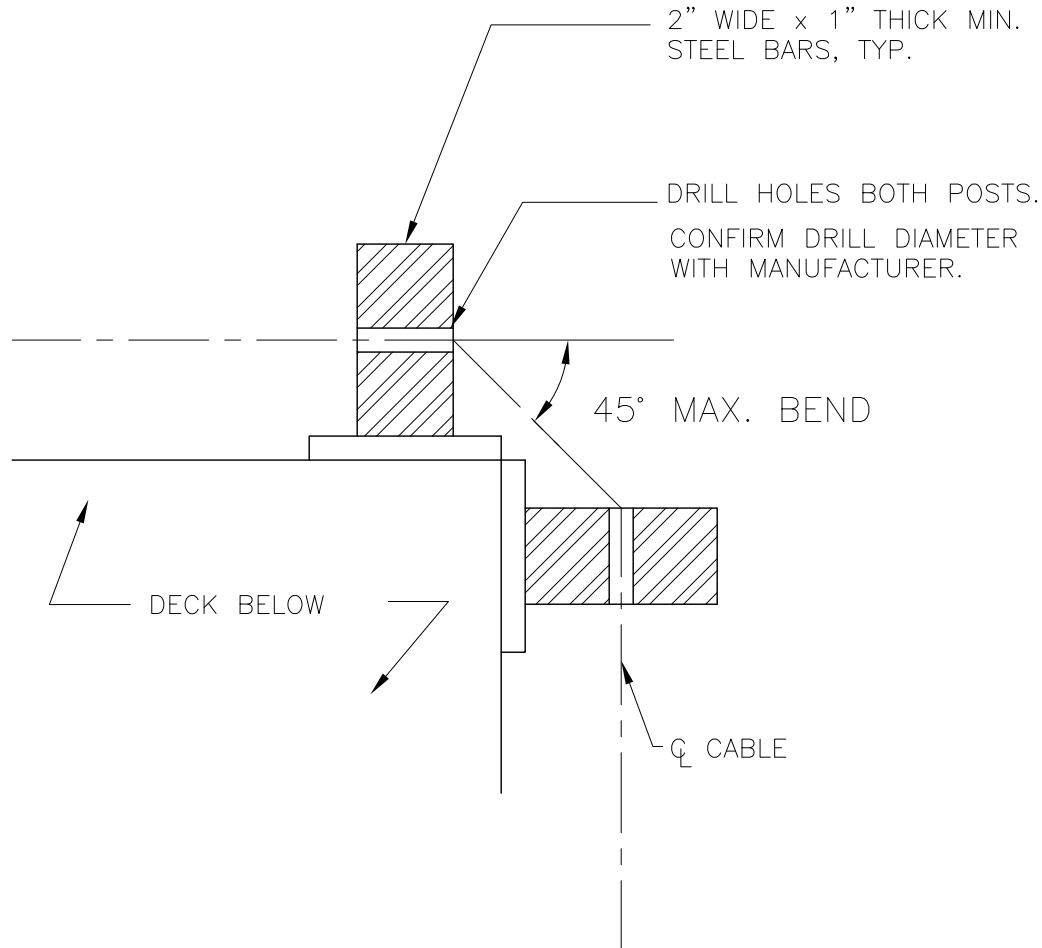


CORNERS: DOUBLE FLAT BAR STEEL POSTS
WITH CABLES RUNNING CONTINUOUSLY.

NOTE: DETAIL IS TYPICAL FOR 1/8", 3/16" AND 1/4" DIAMETER
STANDARD CABLERAIL™ ASSEMBLIES.



CableRail Reference Drawing:
CONTINUOUS CABLE THROUGH DOUBLE CORNER STEEL FLAT BAR POSTS

THIS DRAWING IS THE PROPERTY OF FEENEY INC. ANY REPRODUCTION OF THIS DOCUMENT WITHOUT THE EXPRESSED WRITTEN CONSENT OF FEENEY INC. IS STRICTLY PROHIBITED.

DATE:	05/15/13
PAGE:	1 of 1
REV:	
BY:	DSY
CHK:	BWA

feeney
makes it easy

2603 Union St., Oakland, CA 94607
P: 800-888-2418 F: 510-893-9484
www.feeneyinc.com