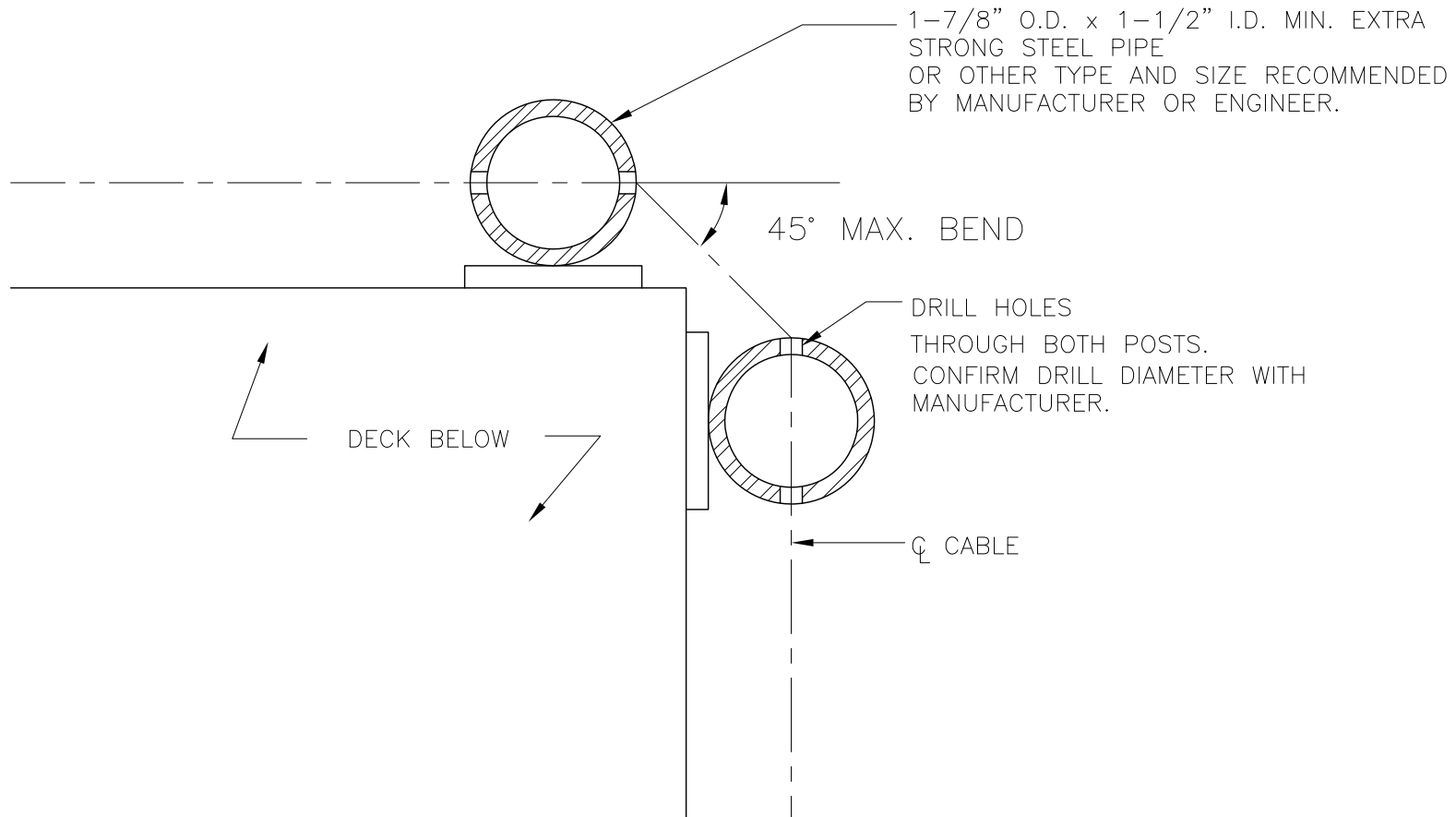


CORNERS: DOUBLE STEEL PIPE POSTS WITH
CABLES RUNNING CONTINUOUSLY.

NOTE: DETAIL IS TYPICAL FOR 1/8", 3/16" AND 1/4" DIAMETER
STANDARD CABLERAIL™ ASSEMBLIES.



CableRail Reference Drawing:
CONTINUOUS CABLE THROUGH DOUBLE CORNER STEEL PIPE POSTS

THIS DRAWING IS THE PROPERTY OF FEENEY INC. ANY REPRODUCTION OF THIS DOCUMENT WITHOUT THE EXPRESSED WRITTEN CONSENT OF FEENEY INC. IS STRICTLY PROHIBITED.

DATE:	05/15/13
PAGE:	1 of 1
REV:	
BY:	DSY
CHK:	BWA

feeney
makes it easy
2603 Union St., Oakland, CA 94607
P: 800-888-2418 F: 510-893-9484
www.feeneyinc.com