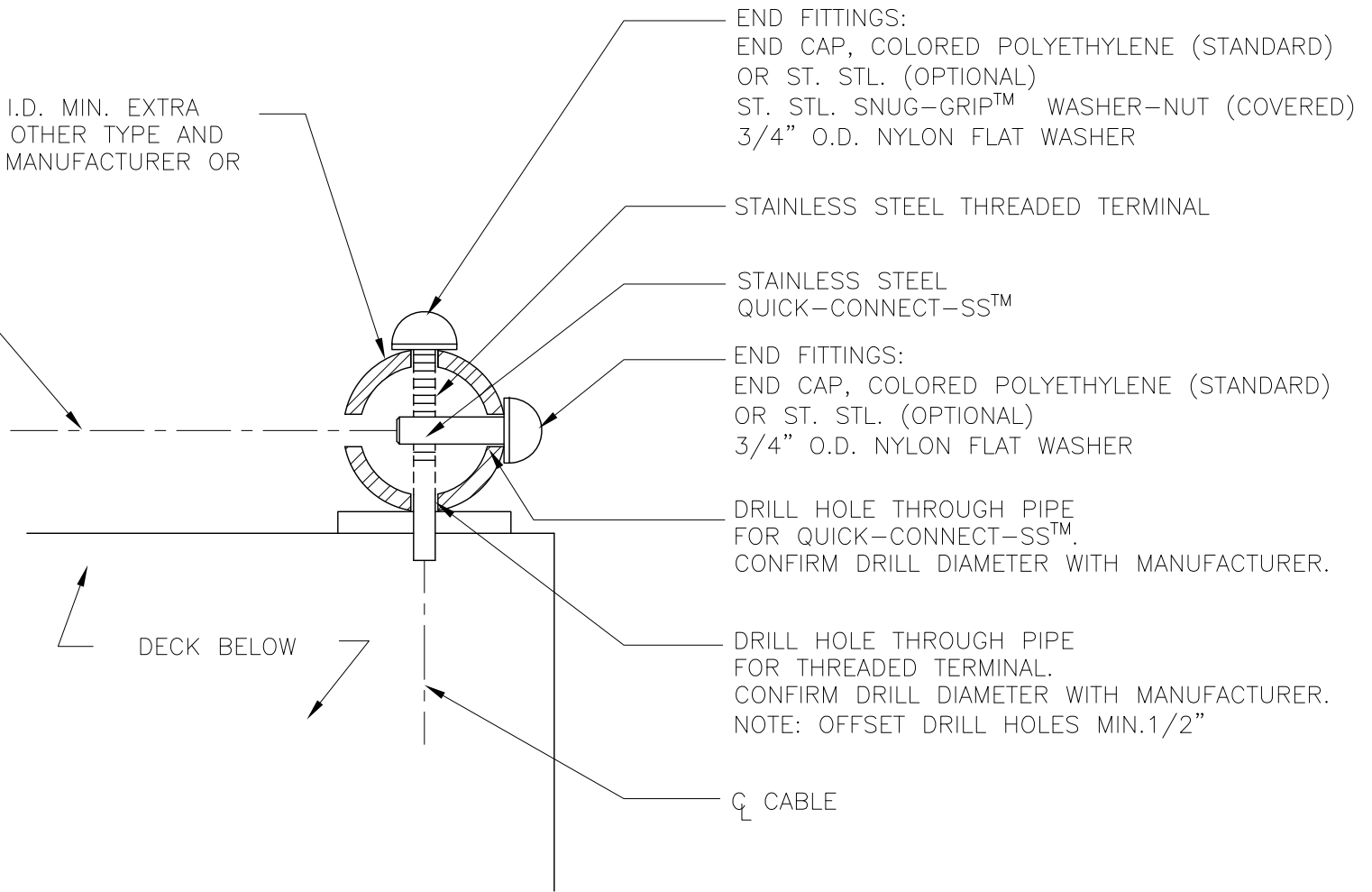


CORNERS: SINGLE STEEL PIPE POST WITH  
CABLES TERMINATING

NOTE: DETAIL IS TYPICAL FOR 1/8", 3/16" AND 1/4" DIAMETER  
STANDARD CABLERAIL™ ASSEMBLIES.

1-7/8" O.D. x 1-1/2" I.D. MIN. EXTRA  
STRONG STEEL PIPE OR OTHER TYPE AND  
SIZE RECOMMENDED BY MANUFACTURER OR  
ENGINEER.

CABLE



END FITTINGS:  
END CAP, COLORED POLYETHYLENE (STANDARD)  
OR ST. STL. (OPTIONAL)  
ST. STL. SNUG-GRIP™ WASHER-NUT (COVERED)  
3/4" O.D. NYLON FLAT WASHER

STAINLESS STEEL THREADED TERMINAL

STAINLESS STEEL  
QUICK-CONNECT-SS™

END FITTINGS:  
END CAP, COLORED POLYETHYLENE (STANDARD)  
OR ST. STL. (OPTIONAL)  
3/4" O.D. NYLON FLAT WASHER

DRILL HOLE THROUGH PIPE  
FOR QUICK-CONNECT-SS™.  
CONFIRM DRILL DIAMETER WITH MANUFACTURER.

DRILL HOLE THROUGH PIPE  
FOR THREADED TERMINAL.  
CONFIRM DRILL DIAMETER WITH MANUFACTURER.  
NOTE: OFFSET DRILL HOLES MIN. 1/2"

CABLE

DECK BELOW

CableRail Reference Drawing:  
**COMBO TERMINATION IN SINGLE CORNER STEEL TUBE POST**

THIS DRAWING IS THE PROPERTY OF FEENEY INC. ANY REPRODUCTION OF THIS DOCUMENT WITHOUT THE EXPRESSED WRITTEN CONSENT OF FEENEY INC. IS STRICTLY PROHIBITED.

DATE:	05/15/13
PAGE:	1 of 1
REV:	
BY:	DSY
CHK:	BWA

**feeney**  
*makes it easy*  
2603 Union St., Oakland, CA 94607  
P: 800-888-2418 F: 510-893-9484  
www.feeneyinc.com