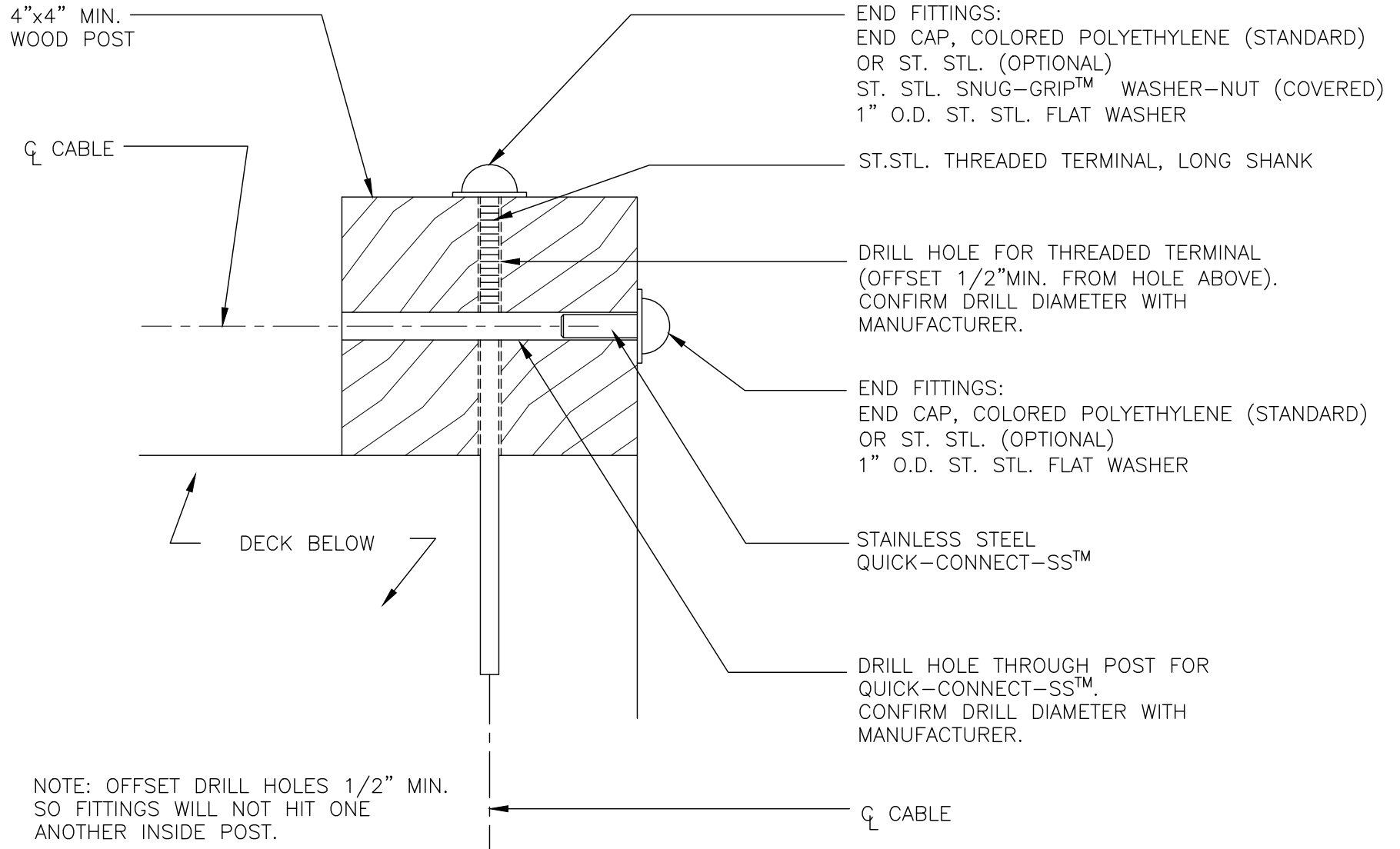


CORNERS: SINGLE WOOD POST WITH CABLES TERMINATING

NOTE: DETAIL IS TYPICAL FOR BOTH 1/8" AND 3/16" DIAMETER STANDARD CABLERAIL™ ASSEMBLIES.



NOTE: OFFSET DRILL HOLES 1/2" MIN. SO FITTINGS WILL NOT HIT ONE ANOTHER INSIDE POST.

CableRail Reference Drawing:
COMBO TERMINATION IN SINGLE CORNER WOOD POST

THIS DRAWING IS THE PROPERTY OF FEENEY INC. ANY REPRODUCTION OF THIS DOCUMENT WITHOUT THE EXPRESSED WRITTEN CONSENT OF FEENEY INC. IS STRICTLY PROHIBITED.

DATE:	03/31/17
PAGE:	1 of 1
REV:	B
BY:	MRJ
CHK:	BWA

feeney
makes it easy
 2603 Union St., Oakland, CA 94607
 P: 800-888-2418 F: 510-893-9484
 www.feeneyinc.com