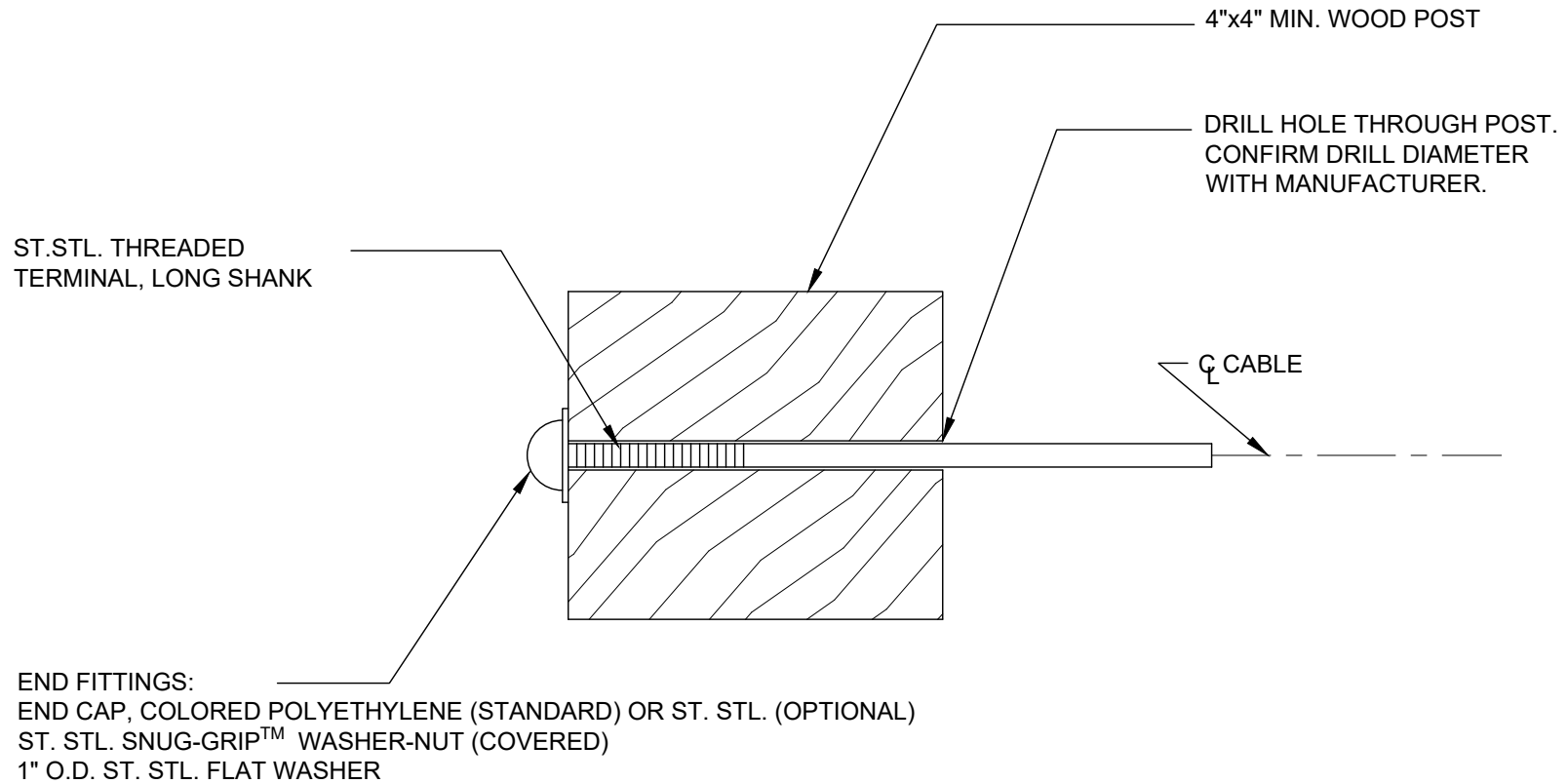


NOTE: DETAIL IS TYPICAL FOR BOTH 1/8" AND 3/16" DIAMETER CABLERAIL KITS.



CableRail Reference Drawing:  
**THREADED TERMINAL FITTING IN WOOD POST**

THIS DRAWING IS THE PROPERTY OF FEENEY INC. ANY REPRODUCTION OF THIS DOCUMENT WITHOUT THE EXPRESSED WRITTEN CONSENT OF FEENEY INC. IS STRICTLY PROHIBITED.

DATE:	03/31/17
PAGE:	1 of 1
REV:	B
BY:	MRJ
CHK:	BWA



2603 Union St., Oakland, CA 94607  
 P: 800-888-2418 F: 510-893-9484  
[www.feeneyinc.com](http://www.feeneyinc.com)