

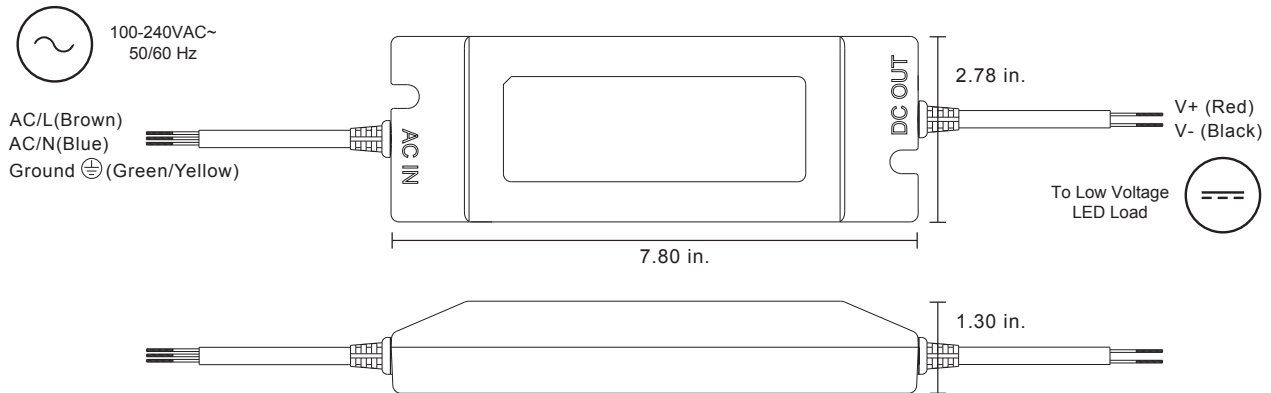


- UL Class 2 power supply
- Constant voltage output
- Adjustable amperage / voltage output
- Universal AC input / full range (up to 295VAC)
- Protections: short circuit / overload / over voltage / over temperature
- High efficiency up to 88.5%
- IP 64 rating – suitable for dry / damp locations
- Cooling by free air convection

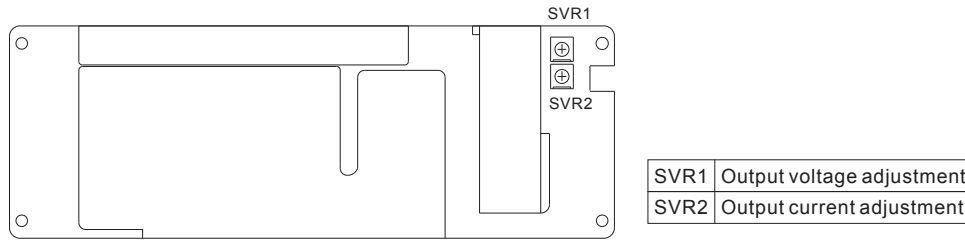
Specifications

Input	Voltage ¹	100 - 240VAC; 277VAC (North America only)
	Current	1.1A/115VAC; 0.55A/230VAC; 0.45A/277VAC
	Frequency	47 ~ 63Hz
	Efficiency	88.5%
	Wire or Terminal Connection	18 AWG wire leads w/ framed ground connection
Output	Voltage	24VDC
	Voltage Adjustment Range	20.4 ~ 24V
	Current Adjustment Range	3 ~ 4A
	Current	0 ~ 4A
	Power (wattage)	96W (refer to "Derating Curve")
	Wire or Terminal Connection	18AWG wire leads
	# Output Connections ²	1
Environment	Ripple & Noise (max)	150mVp-p
	Operating Temp. ³	-22 ~ +122°F (-30 ~ +50°C)
	Operating Humidity	20 ~ 95% RH non-condensing
	IP Rating / Location	IP 64, suitable for dry and damp locations
Additional Information	Class 2 Compliant	Yes
	Safety Standards	UL879, UL1310, UL8750; UL # E334687, E320521, E307078; CE
	Housing / Cooling	Plastic case / free air convection
	Dimmability ⁴	May be paired with a compatible low voltage PWM dimmer/controller installed between the secondary output of driver and load (LED lighting)
	Dimensions	7.87 x 2.78 x 1.38 in. (L x W x H)
	Weight	1.15 lb.
	Warranty	Two (2) Years

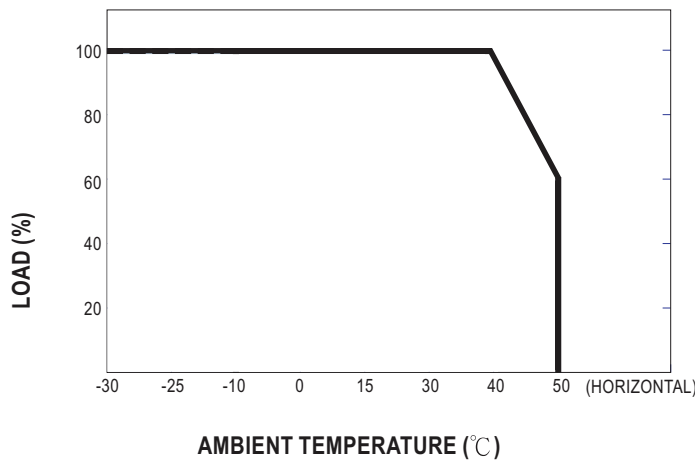
Mechanical Specifications



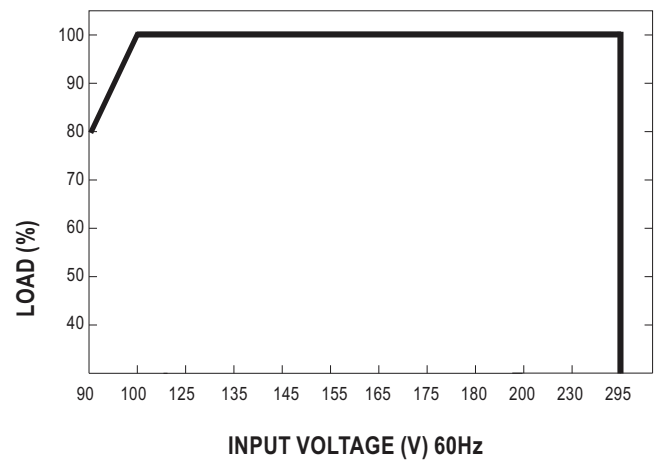
Output voltage and current adjustment :
Remove the upper case and adjust through SVR1 & SVR2 shown in diagram.



Derating Curve



Static Characteristics Curve



Safety & Warnings

- Turn power OFF at main breaker before servicing or installing this product.
- This product is intended to be installed and serviced by a qualified, licensed electrician.
- Install in accordance with the National Electric Code, and local regulations.
- Proper heat dissipation will prolong the working lifespan of this product. Install in a well-ventilated area free from explosive gases and vapors.
- Drivers are rated for maximum power output at optimum thermal and voltage conditions. Please refer to the driver specifications for maximum load ratings.
- Ensure a compatible LED fixture with the correct operating voltage is installed with this product.
- Ensure proper gauge wire is installed. When choosing wire, factor in voltage drop and amperage rating. Improper wire gauge installation may overheat wires, leading to electric shock or fire.
- Use only UL listed wire nuts and clamp accessories with this product.