



### Features

- ETL Listed Class 2 power supply
- Protections: two auto-reset circuit breakers
- Dimmable with compatible MLV dimmers
- NEMA 3R enclosure for wet location/outdoor use
- Cooling by free-air convection



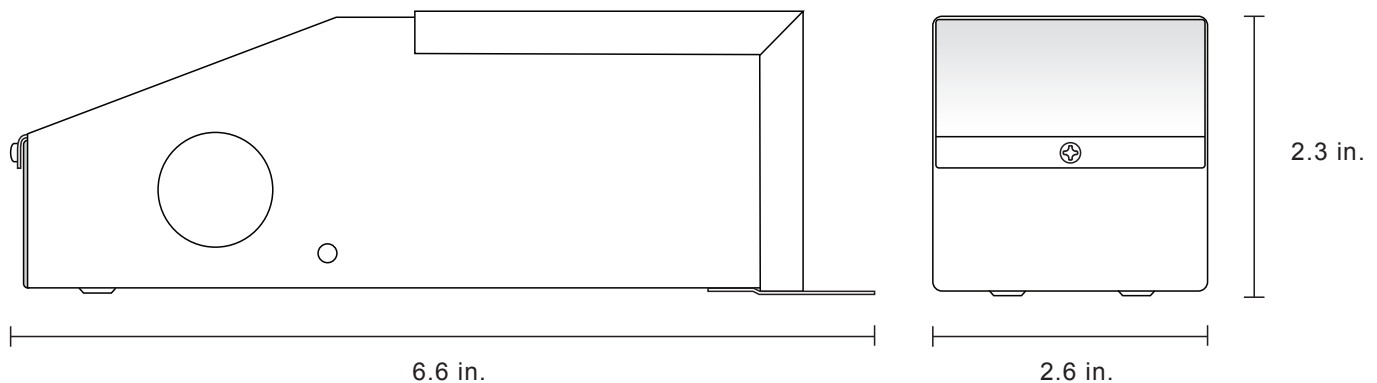
### Technical Specifications

|                        |                              |                                                                                                                    |
|------------------------|------------------------------|--------------------------------------------------------------------------------------------------------------------|
| Input                  | Voltage / Frequency          | 120VAC / 60Hz                                                                                                      |
|                        | Current (Full Load)          | 0.96A                                                                                                              |
|                        | Efficiency / Power Factor    | 84.3% / 0.89                                                                                                       |
|                        | Wire or Terminal Connection  | PVC 600V 20AWG wire leads w/ framed ground connection                                                              |
| Output                 | Voltage (Full Load)          | 22.1VDC                                                                                                            |
|                        | Voltage Boost                | No                                                                                                                 |
|                        | Max Current (Full Load)      | 0 ~ 4.31A                                                                                                          |
|                        | Power (Wattage) <sup>1</sup> | 96W                                                                                                                |
|                        | Wire or Terminal Connection  | PVC 300V 14AWG wire leads                                                                                          |
|                        | # Output Connections         | 1                                                                                                                  |
| Environment            | Thermal Class                | B130°C (266°F)                                                                                                     |
|                        | Operating Temp.              | -4 ~ +158°F (-20 ~ +70°C)                                                                                          |
|                        | Ambient Temp.                | -4 ~ +104°F (-20 ~ +40°C)                                                                                          |
|                        | Location                     | Outdoor/wet location NEMA 3R enclosure                                                                             |
|                        | Class 2 Compliance           | Yes                                                                                                                |
|                        | Safety Standards             | ETL Listed, CSA Listed                                                                                             |
| Additional Information | Housing / Cooling            | Black powder coated steel enclosure. Cooling by free-air convection.                                               |
|                        | Reset Breaker                | Two auto-reset circuit breakers, protecting load and driver.                                                       |
|                        | Coil Former                  | Double Section Bobbin                                                                                              |
|                        | Dimmability <sup>2</sup>     | Must be paired with a compatible 120VAC Magnetic Low Voltage (MLV) dimmer installed between main power and driver. |
|                        | Dimensions                   | 2.6 x 2.3 x 6.6 in. (L x W x H)                                                                                    |
|                        | Weight                       | 3.13 lbs.                                                                                                          |

Note <sup>1</sup> Ensure to de-rate load 20% for maximum longevity. See dimmer switch specifications for minimum load requirements.

Note <sup>2</sup> See 'Magnetic Dimmable Driver/Dimmer Switch Compatibility List' for compatible dimmers.

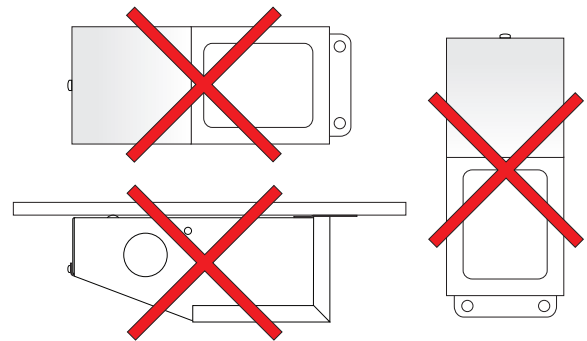
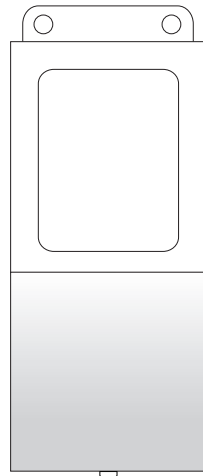
## Mechanical Specifications



See the 'Installation Guide' for system diagrams.

## Mounting

For proper heat dissipation, mount vertically to a sturdy surface, with the wiring compartment pointing down. Install in a well-ventilated area free from explosive gases and vapors.



*Do not* mount sideways, upside-down, or to the underside of a surface.

## Safety & Warnings

- This driver must be installed in accordance with Article 450 of the National Electric Code, and local regulations.
- This product is intended to be installed and serviced by a qualified, licensed electrician.
- This driver must be grounded to the green grounding wire.
- Install in a well-ventilated area free from explosive gases and vapors.
- This product is rated for wet location/outdoor use (NEMA 3R enclosure).
- Only install compatible LED dimmable fixtures.
- Ensure applicable wire is installed between driver, fixture, and any controls in between. When choosing wire, factor in voltage drop, amperage rating, and type (in-wall rated, wet location rated, etc.). Inadequate wire installation could overheat wires, and cause fire.
- For proper heat dissipation, mount vertically to a sturdy surface, with the wiring compartment pointing down. Install in a well-ventilated area free from explosive gases and vapors.
- Do not modify or disassemble this product beyond instructions or the warranty will be void.
- Do not test or install directly connected to 120VAC or through an ON/OFF switch. This driver must be tested and installed with a compatible Magnetic Low Voltage (MLV) dimmer switch or the fixture may become permanently damaged. Visit the online product page for a list of compatible dimmer switches.
- Ensure to de-rate the driver 20% its maximum load. See dimmer switch specifications for minimum load requirements.

V 1.0