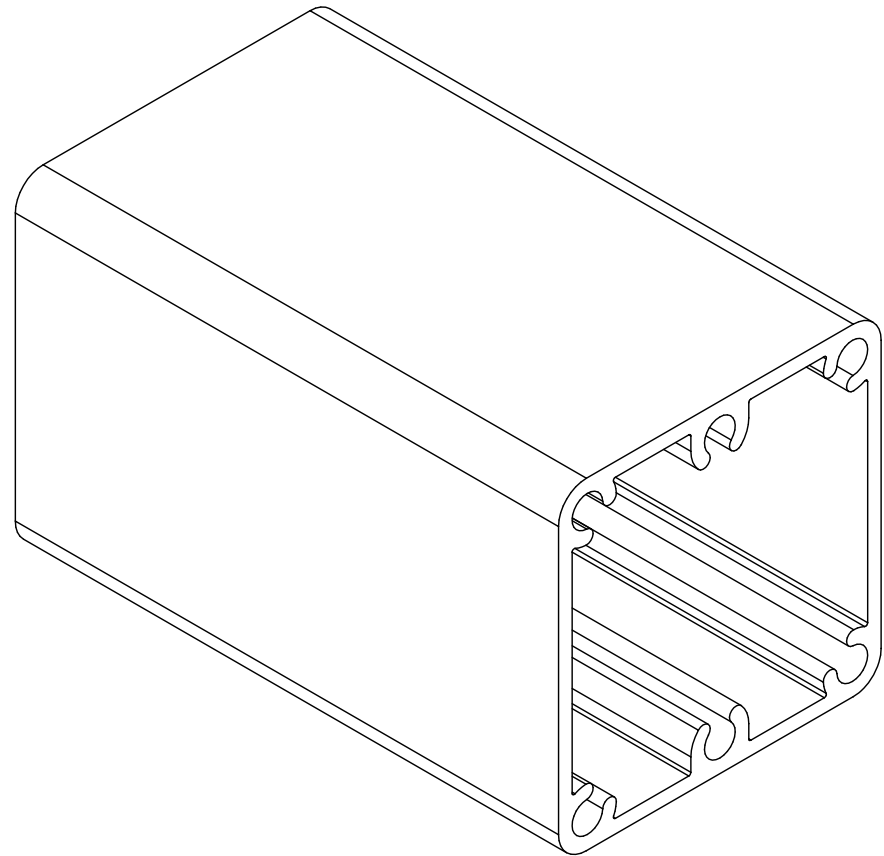


SECTION  
SCALE: 1:1



ISOMETRIC VIEW  
SCALE: NTS

DesignRail® Extrusion Pattern:  
**6 CHASE SQUARE POST**

THIS DRAWING IS THE PROPERTY OF FEENEY INC. ANY REPRODUCTION OF THIS DOCUMENT WITHOUT THE EXPRESSED WRITTEN CONSENT OF FEENEY INC. IS STRICTLY PROHIBITED.

|                  |                            |       |          |
|------------------|----------------------------|-------|----------|
| MATERIAL:        | 6005A-T5<br>ALUMINUM ALLOY | DATE: | 05/16/14 |
| SKU (10' / 20'): | 7349-6 / 7350-6            | PAGE: | 1 of 1   |
|                  |                            | REV:  |          |
|                  |                            | BY:   | DSY      |
|                  |                            | CHK:  | BWA      |

**feeney**  
*makes it easy*  
2603 Union St., Oakland, CA 94607  
P: 800-888-2418 F: 510-893-9484  
www.feeneyinc.com