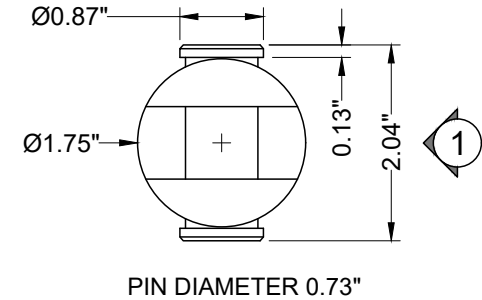


1 TENSION FORK - PROFILE VIEW  
SCALE = 1:2



2 TENSION FORK - END VIEW  
SCALE = 1:2

Sta-Lok® Detail Drawing:  
F34-12 TENSION FORK (3/4")

THIS DRAWING IS THE PROPERTY OF FEENEY INC. ANY REPRODUCTION OF THIS DOCUMENT WITHOUT THE EXPRESSED WRITTEN CONSENT OF FEENEY INC. IS STRICTLY PROHIBITED.

MATERIAL:	316 STAINLESS STEEL
SKU (RH/LH):	1325/1326

DATE:	04/03/17
PAGE:	1 OF 1
REV:	
BY:	MRJ
CHK:	BWA

**feeney**  
*makes it easy*  
2603 Union St., Oakland, CA 94607  
P: 800-888-2418 F: 510-893-9484  
www.feeneyinc.com