

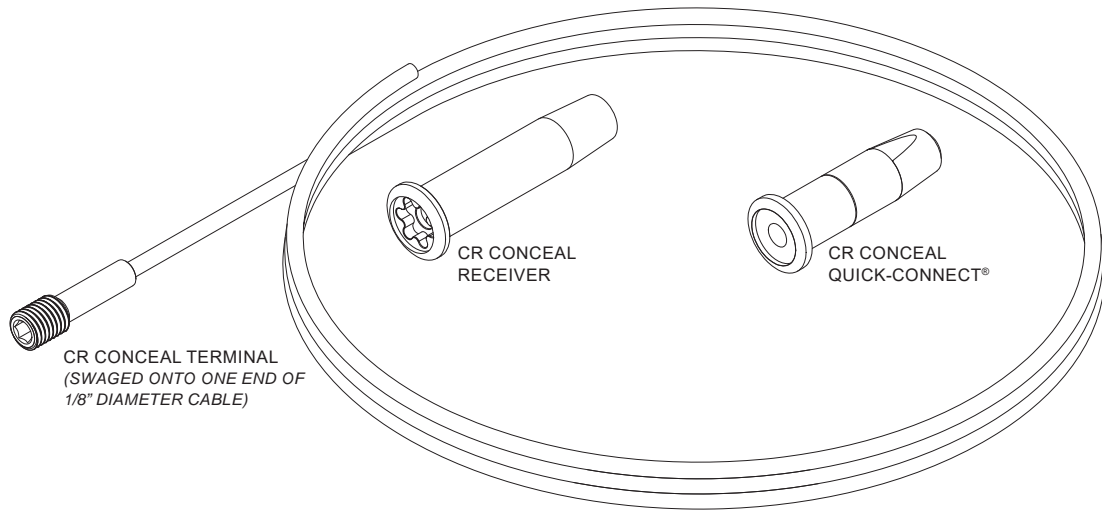
# Installation Instructions

## for CableRail Conceal infill in DesignRail® frames

Note: Prior to beginning installation, verify that all parts have arrived and that they match the packing list and thoroughly review all of the installation instructions. Consult local building code for all railing construction requirements in your area.

For complete information on installation, care & maintenance, warranty, and product registration, visit [feeneyinc.com/DRinfo](http://feeneyinc.com/DRinfo)

### CableRail Conceal Kits:










CR Conceal Kit SKUs  
(5' - 50' lengths in 5' increments)

- CRConceal 1/8 : 5
- CRConceal 1/8 : 10
- CRConceal 1/8 : 15
- CRConceal 1/8 : 20
- CRConceal 1/8 : 25
- CRConceal 1/8 : 30
- CRConceal 1/8 : 35
- CRConceal 1/8 : 40
- CRConceal 1/8 : 45
- CRConceal 1/8 : 50


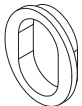
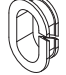
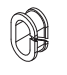

### CableRail Conceal Accessories:

#### LEVEL

						
CR CONCEAL CAP [CCP]	CR CONCEAL DECORATIVE BUSHING [CHR]	ISOLATION BUSHING FOR TERMINATION POSTS (OUTSIDE FACE) [1114]	ISOLATION BUSHING FOR TERMINATION POSTS (INSIDE FACE) [1109]	ISOLATION BUSHING FOR INTERMEDIATE & CORNER POSTS [1107]	ISOLATION BUSHING FOR INTERMEDIATE PICKETS [1108]	ISOLATION BUSHING FOR SINGLE CORNER POSTS [1121]

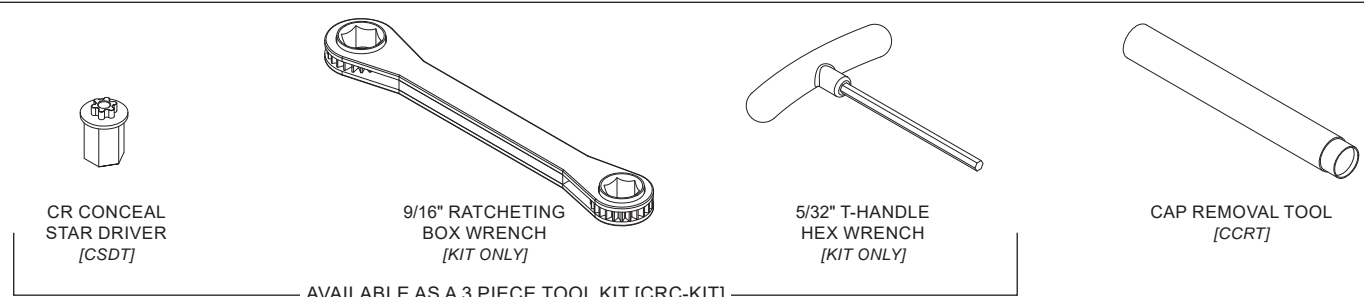
— HARSH ENVIRONMENTS ONLY —

#### STAIR

				
CR CONCEAL BEVELED WASHER [CBW]	CR CONCEAL STAIR BUSHING [CBS]	ISOLATION BUSHING FOR STAIR TERMINATION POSTS (INSIDE FACE) [1120]	ISOLATION BUSHING FOR INTERMEDIATE STAIR POSTS [1121]	ISOLATION BUSHING FOR INTERMEDIATE STAIR PICKETS [1122]

— HARSH ENVIRONMENTS ONLY —

### CableRail Conceal Tools:



Note: These instructions are simplified to show only a portion of the termination posts for illustrative purposes.

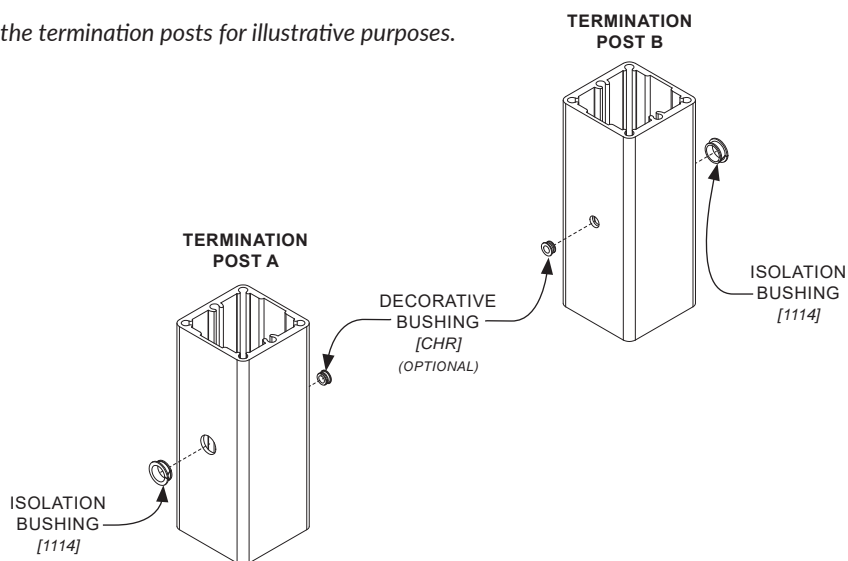
## LEVEL INSTALLATION:

### STEP 1A

Insert isolation bushing [1114] into large hole (33/64") on outside face of termination posts.

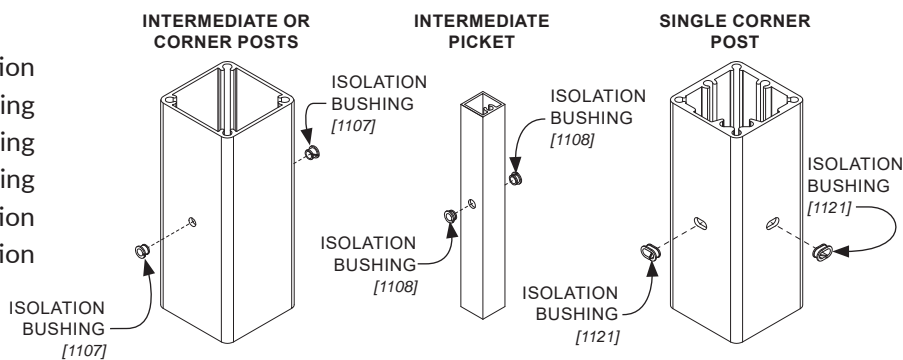
### STEP 1B (optional)

If using optional decorative bushings [CHR], insert into small hole (5/16") on inside post face of all termination posts.



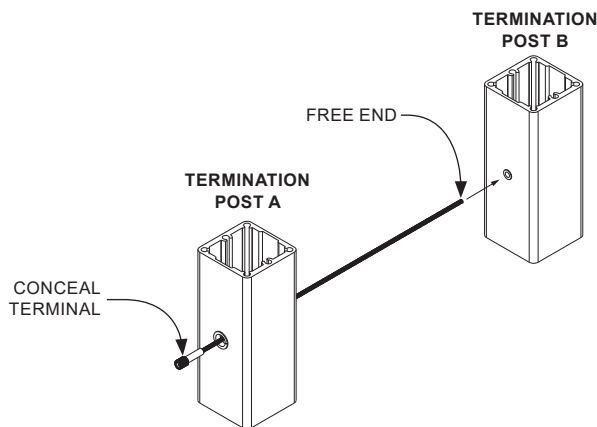
### STEP 1C (harsh environments only)

If the project is located in a harsh environment, isolation bushings should be used on all posts. Use isolation bushing [1107] for intermediate and corner posts, isolation bushing [1108] for intermediate pickets, and isolation bushing [1121] for single corner posts. Installation of isolation bushings [1109] for the inside face of the termination posts will occur in step 8.



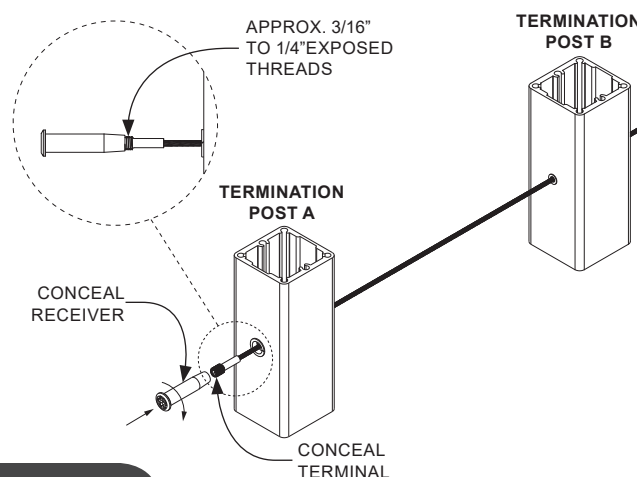
### STEP 2

Lace the free end of cable through the first termination post A and continue through the intermediate posts and pickets (not shown) and opposite termination post B. Use of lacing needle [3221] recommended. Leave the Conceal Terminal exposed at one end.



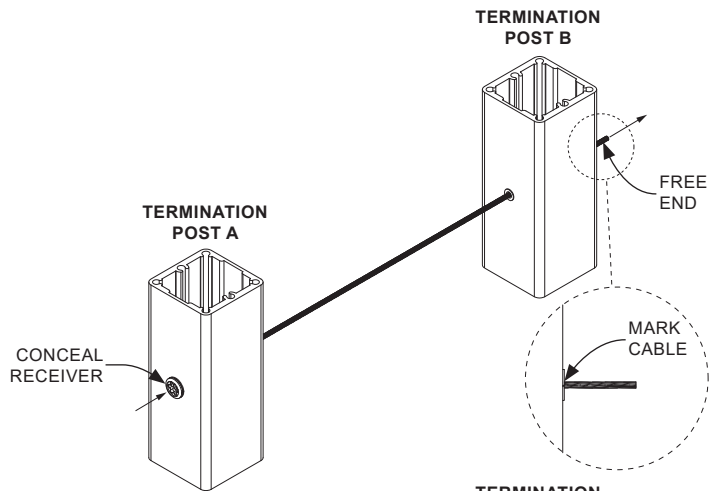
### STEP 3

Thread the Conceal Receiver onto the Conceal Terminal, leaving approximately 3/16" of threads exposed. For cable runs over 40 feet, leave approximately 1/4" of threads exposed.



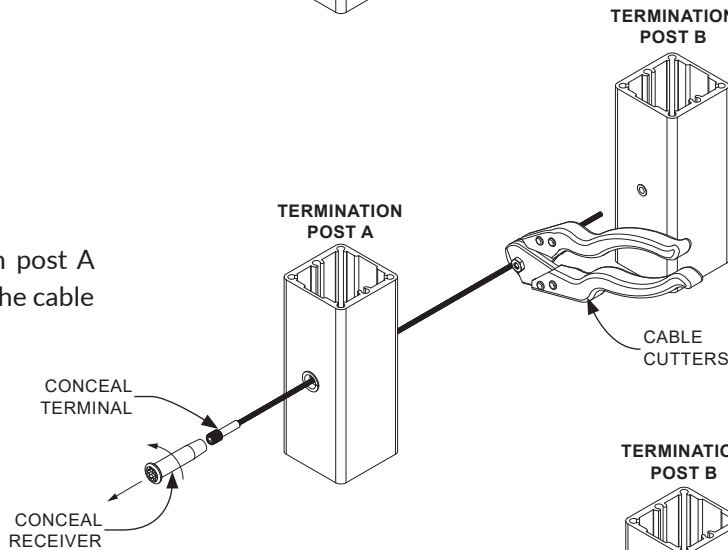
### STEP 4

Push Conceal Receiver fully into termination post A. Pull the cable tight through the opposite termination post B to remove slack in the cable. Mark the cable on the outside face of the termination post B using a felt-tipped marker.



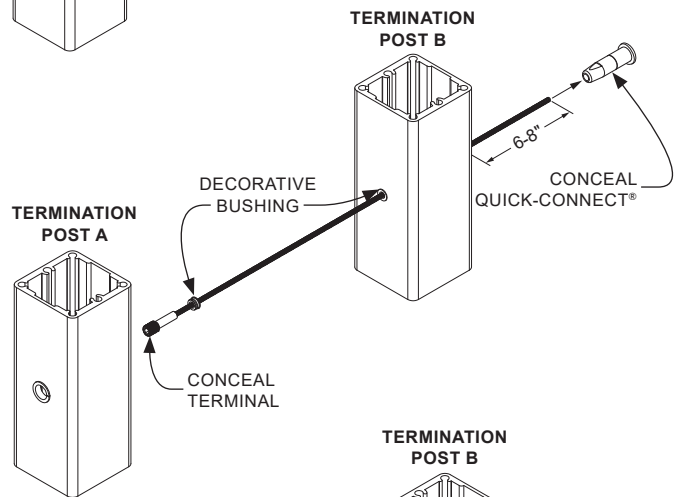
### STEP 5

Pull the Conceal Receiver out of the termination post A and un-thread it from the Conceal Terminal. Trim the cable at the mark using Cable Cutters.



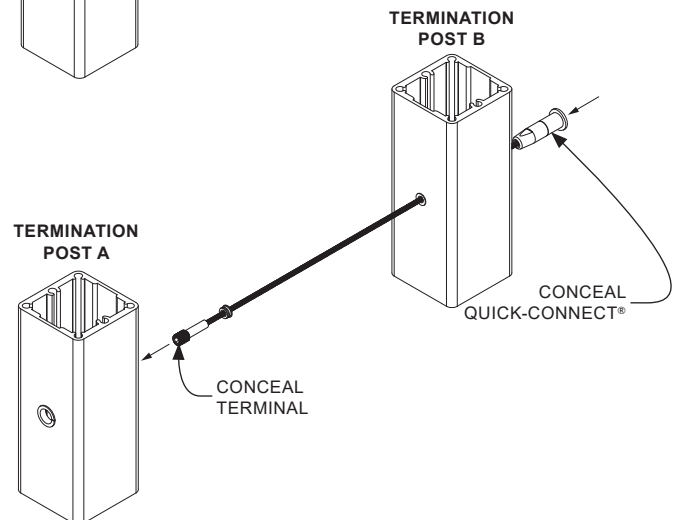
### STEP 6

Re-insert the free end of the cable through the termination post B, allowing 6-8 inches to protrude (if using a decorative bushing you will first need to temporarily remove it from the termination post A by firmly pulling on the cable closest to the Conceal Terminal). Insert the free end of the cable as far as it will go into the Conceal Quick-Connect®.



### STEP 7

Pull the cable assembly so that the Conceal Quick-Connect® slides back into the termination post B, and re-insert the Conceal Terminal into the opposite termination post A (since the cable was trimmed, the Conceal Terminal will only insert part way into the post).

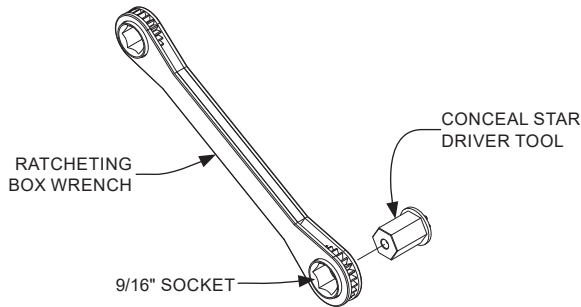


### STEP 8

Insert the Conceal Receiver into the termination post A, turning it clockwise to engage the threads on the Conceal Terminal inside the post. Continue threading the Conceal Receiver onto the Conceal Terminal until the Conceal Receiver is up against the face of the post. Take care to avoid cross-threading (if using decorative bushings or isolation bushings [1109], they can now be (re)inserted into the hole on the inside face of the termination posts).

### STEP 9

Insert the Star Driver Tool into a 9/16" socket on a ratcheting box wrench.



### STEP 10

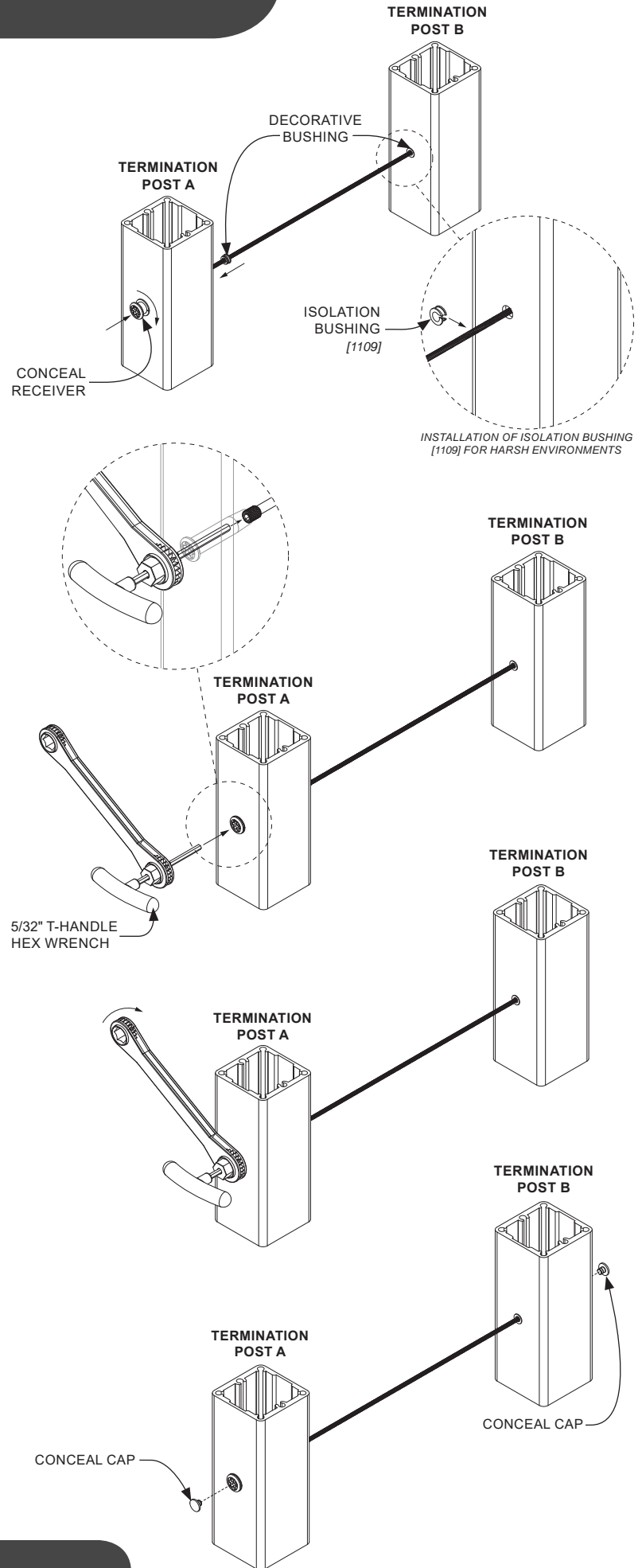
Insert 5/32" T-handle Hex Wrench through the hole in the Conceal Star Driver Tool and the Conceal Terminal. Engage the 5/32" T-Handle Wrench into the mating hex end of the Conceal Terminal. Then, align and fully seat Conceal Star Driver tool into the star pattern on the Conceal Receiver.

### STEP 11

Tension the cable by slowly rotating the ratcheting box wrench clockwise, while holding the 5/32" T-Handle Hex Wrench in a fixed position. After the slack in the cable has been removed by initial tensioning, swiftly hit the cable line with your palm several times to ensure that the jaws in the Quick-Connect are securely seated. Continue until the desired cable tension is reached (take care to avoid overtensioning cables).

### STEP 12

Once the desired cable tension is reached, the Conceal Caps can be placed into the Conceal Terminal and the Conceal Quick-Connect® (the rubber O-ring on the Conceal Cap may require lubrication, ie: soapy water).



Note: These instructions are simplified to show only a portion of the termination posts for illustrative purposes.

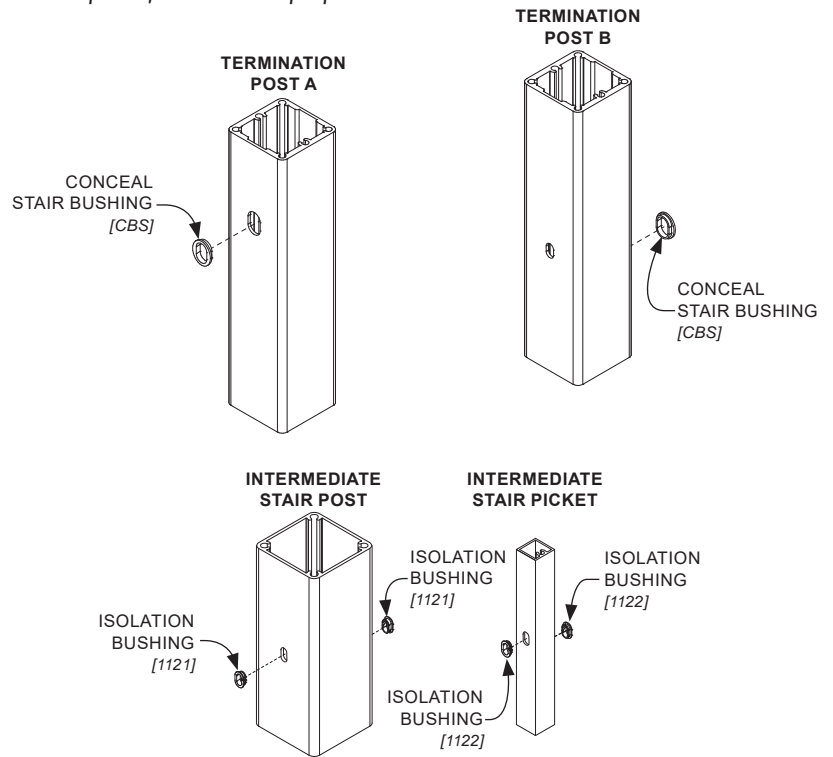
## STAIR INSTALLATION:

### STEP 1A

Insert Conceal Stair Bushing [CBS] into large slot (0.555" x 0.810") on outside face of termination posts.

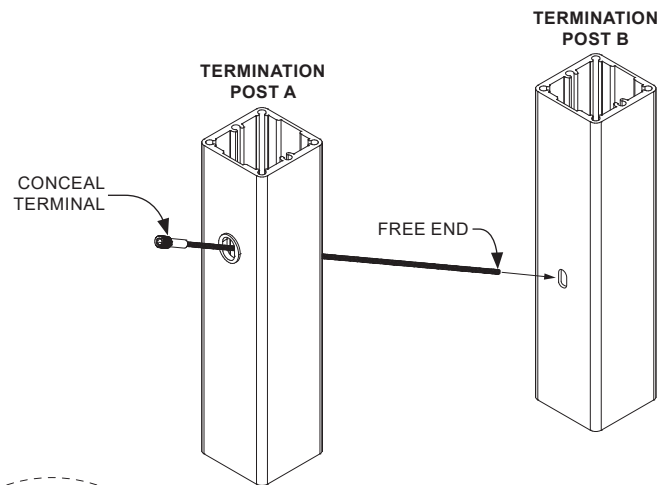
### STEP 1B (harsh environments only)

If the project is located in a harsh environment, isolation bushings should be used on all posts. Use isolation bushing [1121] for intermediate stair posts, isolation bushing [1122] for intermediate stair pickets. Installation of isolation bushings [1120] for the inside face of the termination posts will occur in step 8.



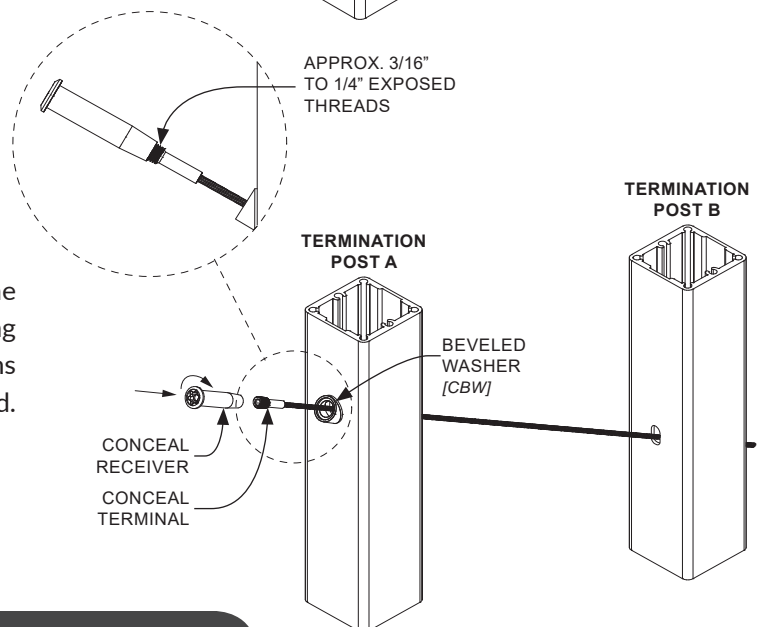
### STEP 2

Lace the free end of cable through the first termination post A and continue through the intermediate posts and pickets (not shown) and opposite termination post B. Use of lacing needle [3221] is recommended. Leave the Conceal Terminal exposed at one end.



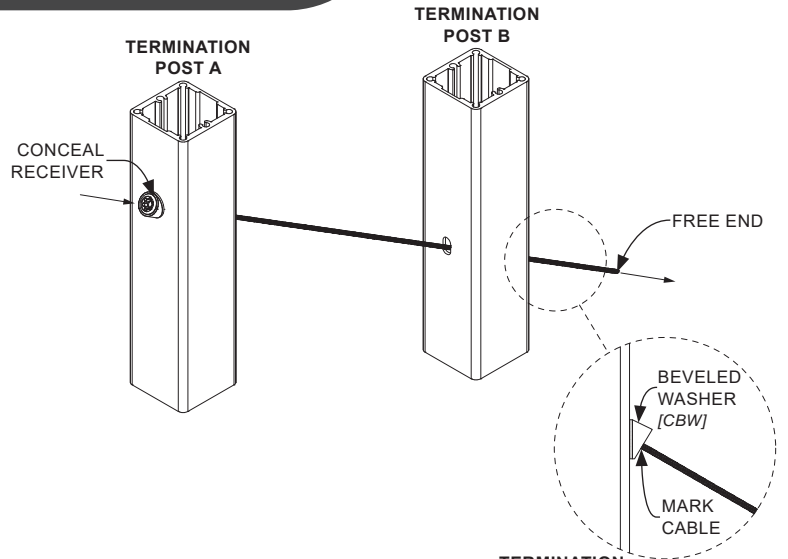
### STEP 3

Slide beveled washer [CBW] onto cable. Thread the Conceal Receiver onto the Conceal Terminal, leaving approximately 3/16" of threads exposed. For cable runs over 40 feet, leave approximately 1/4" of threads exposed.



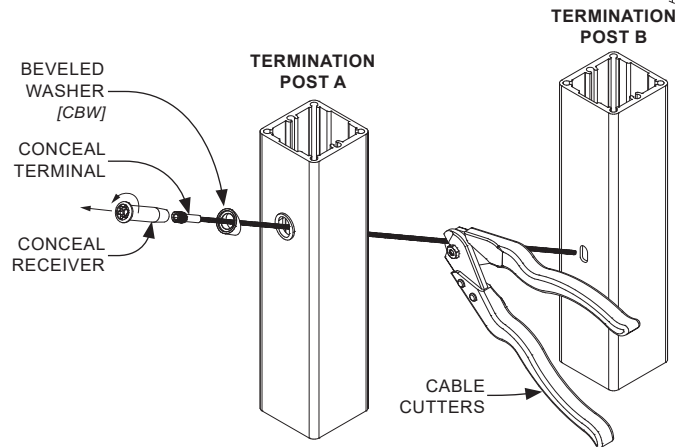
**STEP 4**

Push Conceal Receiver fully into termination post A. Pull the cable tight through the opposite termination post B to remove slack in the cable. Slide beveled washer over cable. Mark the cable on the outside face of the beveled washer [CBW] at termination post B using a felt-tipped marker.



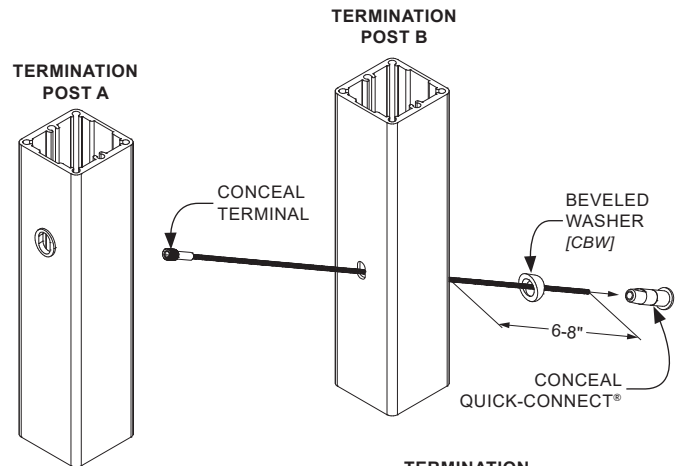
**STEP 5**

Pull the Conceal Receiver out of the termination post A and un-thread it from the Conceal Terminal. Remove the beveled washer with the Conceal Receiver. Trim the cable at the mark using Cable Cutters.



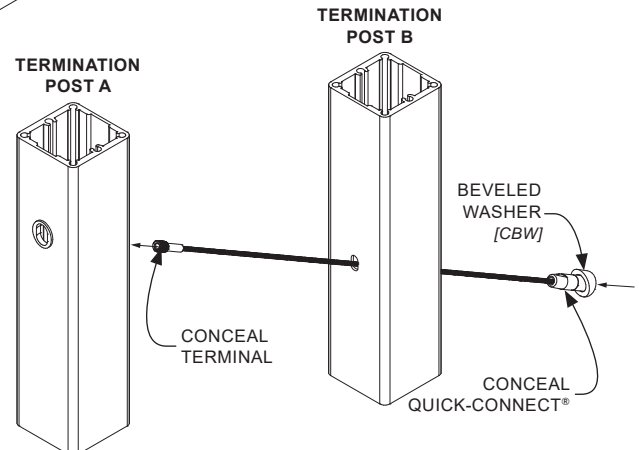
**STEP 6**

Re-insert the free end of the cable through the termination post B, allowing 6-8 inches to protrude. Slide beveled washer onto cable so that its angled face is against the post. Insert the free end of the cable as far as it will go into the Conceal Quick-Connect®.



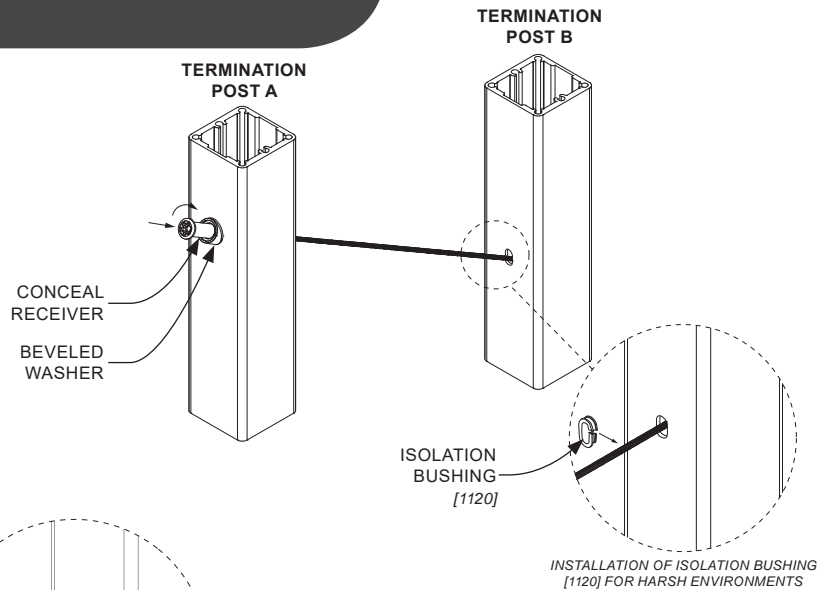
**STEP 7**

Pull the cable assembly so that the Conceal Quick-Connect® slides back into the termination post B, and re-insert the Conceal Terminal into the opposite termination post A (since the cable was trimmed, the Conceal Terminal will only insert part way into the post).



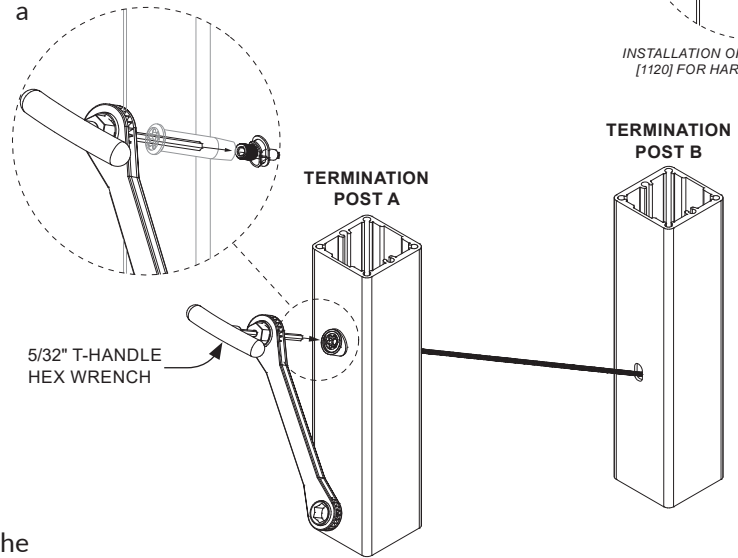
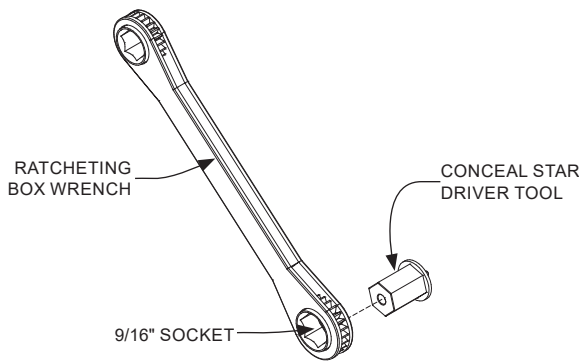
### STEP 8

Slide the beveled washer over the Conceal Receiver, then insert the Conceal Receiver into the termination post A, turning it clockwise to engage the threads on the Conceal Terminal inside the post. Continue threading the Conceal Receiver onto the Conceal Terminal until the Conceal Receiver is up against the face of the post. Take care to avoid cross-threading (if using isolation bushings [1120], they can now be inserted into the hole on the inside face of the termination posts).



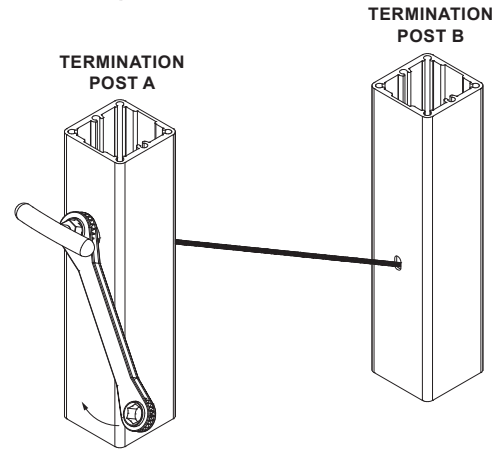
### STEP 9

Insert the Star Driver Tool into a 9/16" socket on a ratcheting box wrench.



### STEP 10

Insert 5/32" T-handle Hex Wrench through the hole in the Conceal Star Driver Tool and the Conceal Terminal. Engage the 5/32" T-Handle Wrench into the mating hex end of the Conceal Terminal. Then, align and fully seat Conceal Star Driver tool into the star pattern on the Conceal Receiver.



### STEP 11

Tension the cable by slowly rotating the ratcheting box wrench clockwise, while holding the 5/32" T-Handle Hex Wrench in a fixed position. After the slack in the cable has been removed by initial tensioning, swiftly hit the cable line with your palm several times to ensure that the jaws in the Quick-Connect are securely seated. Continue until the desired cable tension is reached (take care to avoid overtensioning cables).

### STEP 12

Once the desired cable tension is reached, the Conceal Caps can be placed into the Conceal Terminal and the Conceal Quick-Connect® (the rubber O-ring on the Conceal Cap may require lubrication, ie: soapy water).

