

| | |
|-----------------|--|
| Specified Item# | |
| Project | |
| Location | |



Outdoor Model: DI-JBOX-OUT

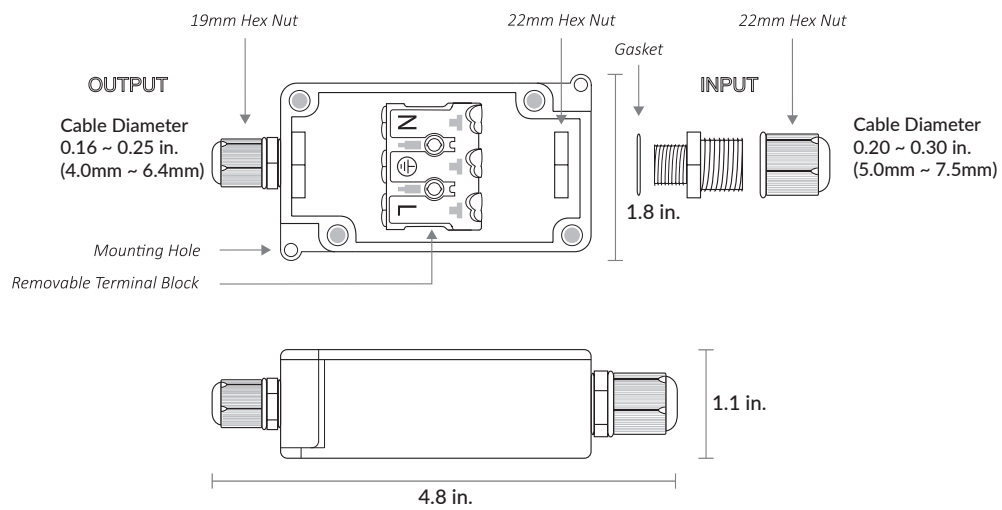


SPECIFICATIONS

| | |
|--------------------------------|---|
| Model | DI-JBOX-OUT |
| Max Voltage Rating | 300V |
| Max Amperage Rating | 10A |
| Connection Type | Quick release terminal block |
| Cable Range (Dia.) | Input: 0.20 to 0.30 in. (5.0mm-7.5mm) Output: 0.16 to 0.25 in. (4.0mm-6.4mm) |
| Housing | Polypropylene |
| Mounting | Mount with applicable screws (mounting screws not included) |
| Dimensions | 4.8 x 1.8 x 1.1 in. (L x W x H) |
| Ambient Temperature | -4° to 166°F (-20° to 74°C) |
| Environment / IP Rating | Suitable for wet locations / IP65 |
| Warranty | 2 year warranty |
| Certifications | cULus Recognized Component |

MECHANICAL DIAGRAMS

DI-JBOX-OUT



TERMINAL BLOCK

