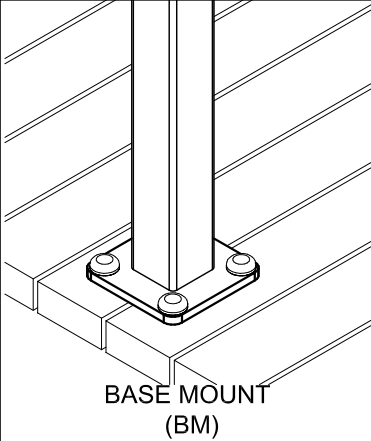
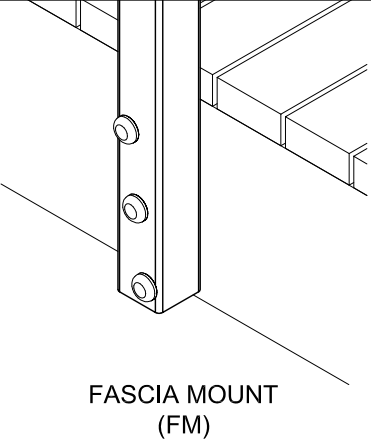
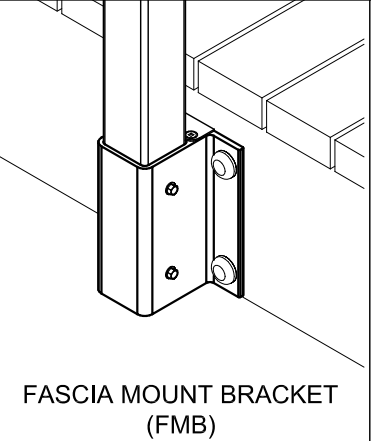
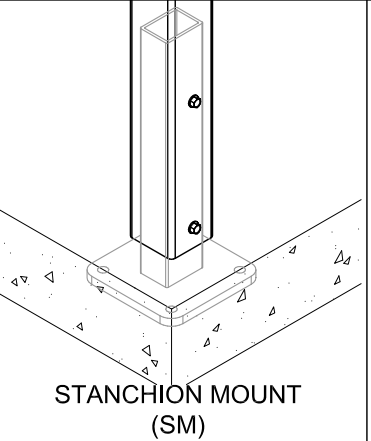
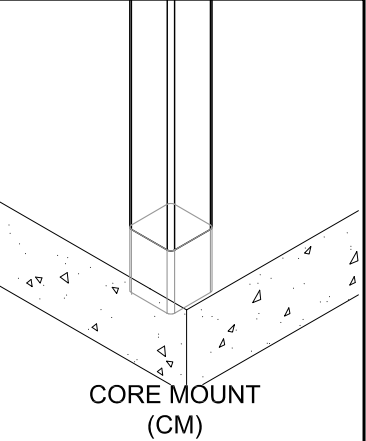


MOUNTING OPTIONS		BASE MOUNT (BM)		FASCIA MOUNT (FM)		FASCIA MOUNT BRACKET (FMB)		STANCHION MOUNT (SM)		CORE MOUNT (CM)	
											
RESIDENTIAL	36"	6'-0"		6'-0"		6'-0"		6'-0"		6'-0"	
	42"	BR: 6'-0" NBR: 5'-0"		BR: 6'-0" NBR: 5'-0"* <small>*FLANGES AND 5/8" THRU-BOLTS REQ'D @ ENDS AND CORNERS</small>		BR: 6'-0" NBR: 5'-0"* <small>*5/8" THRU-BOLTS REQ'D @ ENDS AND CORNERS</small>		BR: 6'-0" NBR: 5'-0"		BR: 6'-0" NBR: 5'-0"	
COMMERCIAL	42" ONLY	5'-0" (6 CHASE POST REQUIRED)		BR: 4'-0" NBR: 4'-0"* <small>*FLANGES AND 5/8" THRU-BOLTS REQ'D @ ENDS AND CORNERS</small>		BR: 5'-0" NBR: 5'-0"* <small>*5/8" THRU-BOLTS REQ'D @ ENDS AND CORNERS</small>		5'-0"		5'-0"	

DesignRail® Reference Drawing:
Post Spacing

THIS DRAWING IS THE PROPERTY OF FEENEY INC. ANY REPRODUCTION OF THIS DOCUMENT WITHOUT THE EXPRESSED WRITTEN CONSENT OF FEENEY INC. IS STRICTLY PROHIBITED.

DATE:	03/04/14
PAGE:	1 OF 1
REV:	A - 04/17/15
BY:	BWA
CHK:	

feeney 

2603 Union St., Oakland, CA 94607
P: 800-888-2418 F: 510-893-9484
www.feeneyinc.com