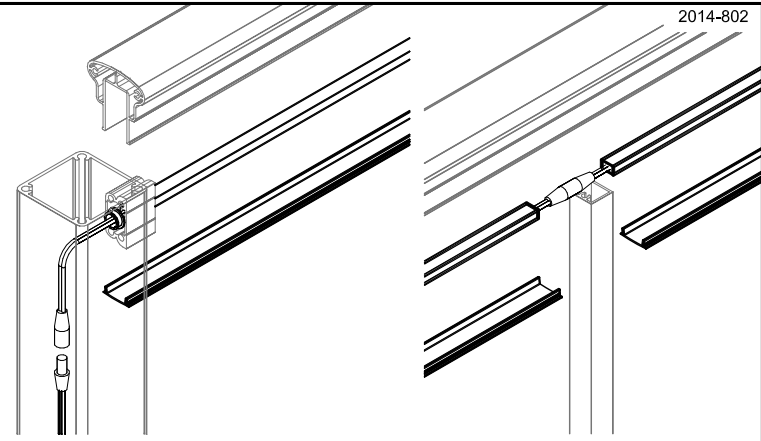
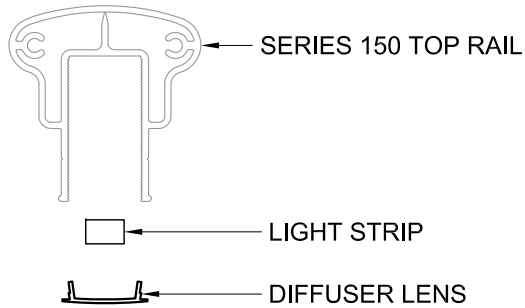
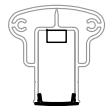
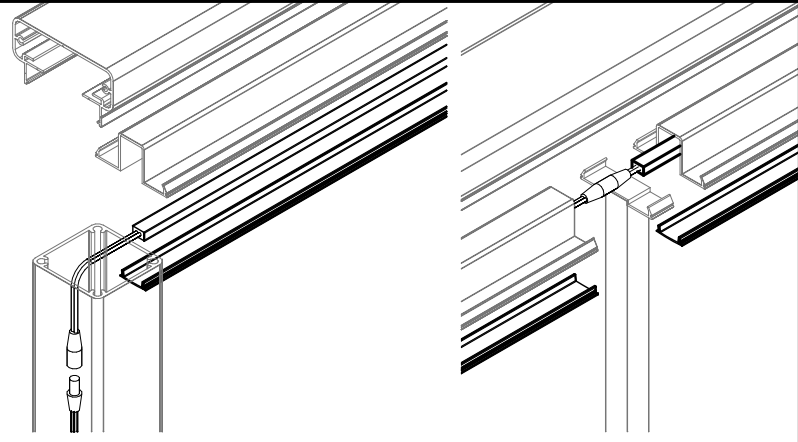
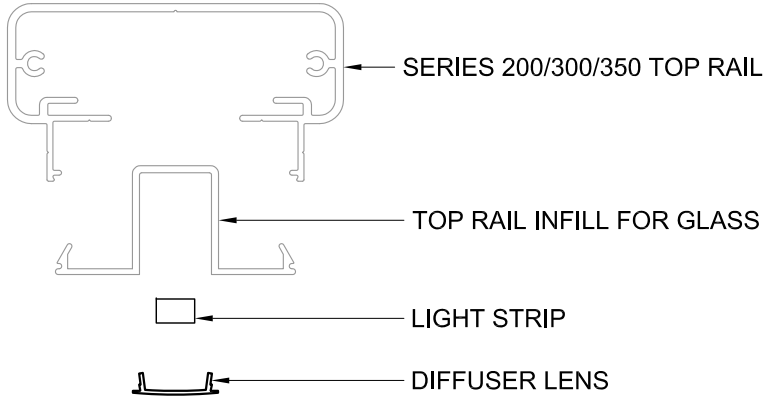
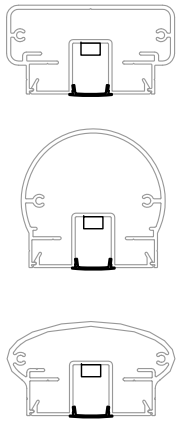


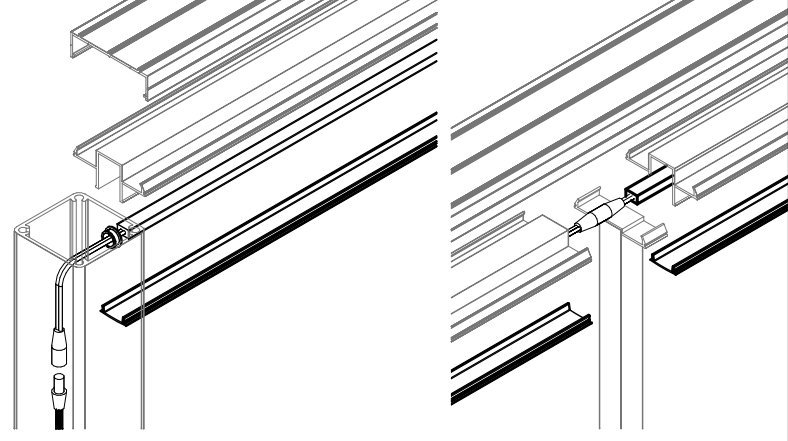
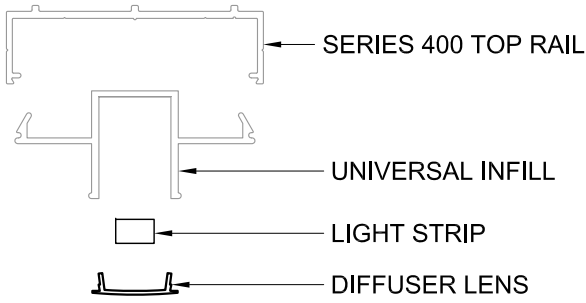
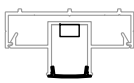
SERIES 150 HANDRAIL



SERIES 200/300/350 TOP RAIL



SERIES 400 TOP RAIL



DesignRail® Extrusion Pattern:
LED LIGHTING - ASSEMBLY COMPONENTS TOP RAILS

THIS DRAWING IS THE PROPERTY OF FEENEY INC. ANY REPRODUCTION OF THIS DOCUMENT WITHOUT THE EXPRESSED WRITTEN CONSENT OF FEENEY INC. IS STRICTLY PROHIBITED.

DATE:	03/17/14
PAGE:	1 OF 1
REV:	
BY:	BWA
CHK:	

feeney
makes it easy
 2603 Union St., Oakland, CA 94607
 P: 800-888-2418 F: 510-893-9484
www.feeneyinc.com