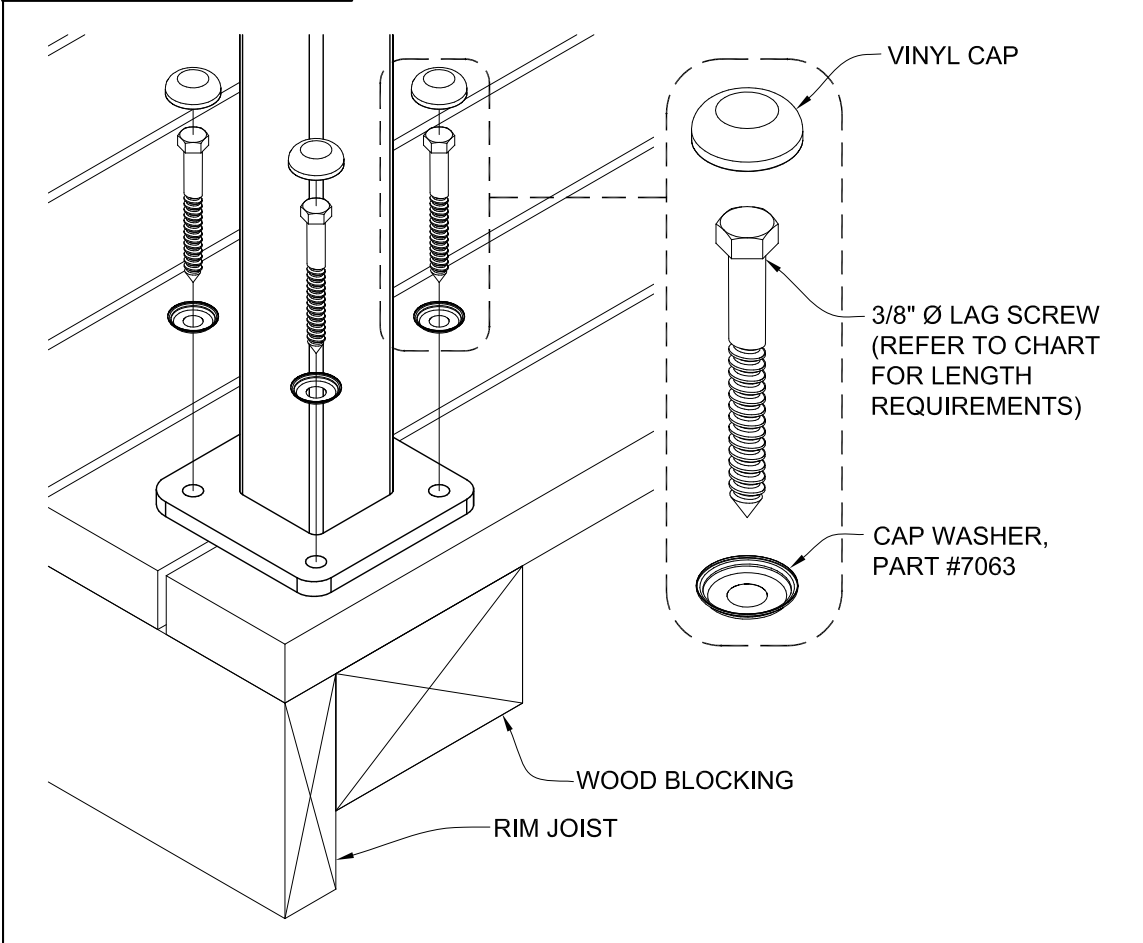


**NOTES:**  
 MINIMUM LAG PENETRATION DIMENSION, REFER TO REQUIREMENTS FOR LAG SCREW PENETRATION INTO SOLID LUMBER. LUMBER ASSUMED TO HAVE A MINIMUM 0.43 SPECIFIC GRAVITY (ie: HEM-FIR).  
 WOOD DECK BOARDS MUST BE PROPERLY ATTACHED TO STRUCTURE TO ACCOUNT FOR A PORTION OF THE LAG SCREW PENETRATION REQUIREMENT.  
 IF USING COMPOSITE MATERIAL AS DECKING, DECK BOARDS WILL NOT CONTRIBUTE TO PENETRATION REQUIREMENT. LAG SCREW LENGTH AND BLOCKING MUST BE ADJUSTED TO ACCOUNT FOR ADDITIONAL LENGTH, AS NECESSARY.



		INTERIOR	EXTERIOR
RESIDENTIAL (MAX 6' OC)	36"	<p>3" MIN. LAG PENETRATION            3-1/2" LAG SCREWS,            PART #7277</p>	<p>4" MIN. LAG PENETRATION            4-1/2" LAG SCREWS,            PART #6565</p>
	38"-42"	<p>3-1/2" MIN. LAG PENETRATION            4-1/2" LAG SCREWS,            PART #6565</p>	<p>4-1/2" MIN. LAG PENETRATION            5" LAG SCREWS,            PART #7280</p>
COMMERCIAL (MAX 5' OC)	42"	<p>4-1/2" MIN. LAG PENETRATION            5" LAG SCREWS,            PART #7280</p>	<p>5-5/8" MIN. LAG PENETRATION            6" LAG SCREWS,            PART #7278</p>

DesignRail® Reference Drawing:  
**Base Mount with Lag Screws**

THIS DRAWING IS THE PROPERTY OF FEENEY INC. ANY REPRODUCTION OF THIS DOCUMENT WITHOUT THE EXPRESSED WRITTEN CONSENT OF FEENEY INC. IS STRICTLY PROHIBITED.

DATE: 06/10/15  
 PAGE: 1 OF 1  
 REV:  
 BY: BWA  
 CHK:

**feeney**

2603 Union St., Oakland, CA 94607  
 P: 800-888-2418 F: 510-893-9484  
 www.feeneyinc.com