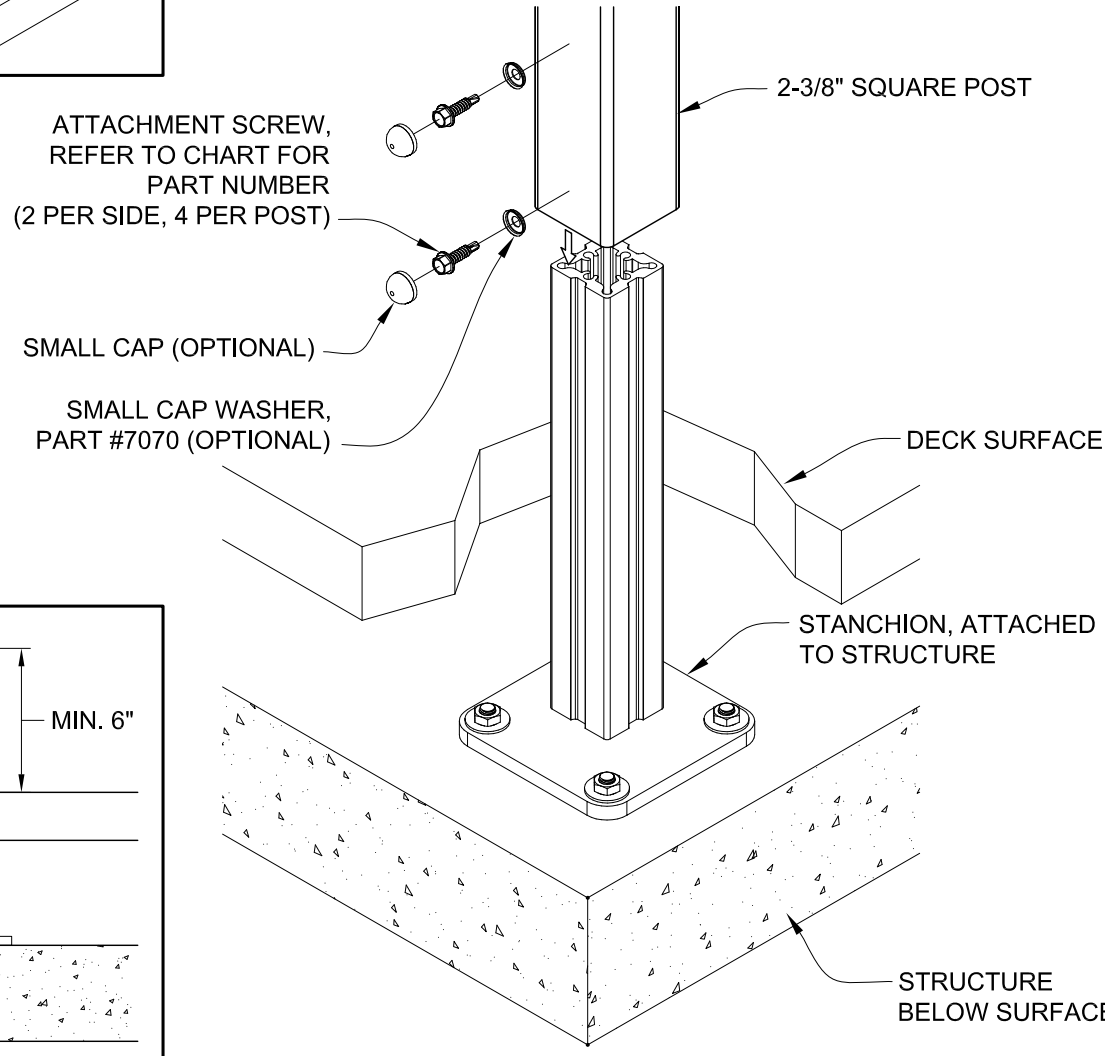


NOTES:
 STANCHIONS CAN BE ATTACHED TO STRUCTURE USING ANY OF THE BASE MOUNT METHODS FOR SPECIFIC STRUCTURAL SUBSTRATE. SEE BASE MOUNT DETAIL DRAWINGS FOR REQUIREMENTS AND POST SPACING PARAMETERS.

RECOMMENDATIONS FOR DRILLING THROUGH STAINLESS STEEL STANCHIONS:

- 1) USE COBALT DRILL BITS, (CARBIDE NOT RECOMMENDED)
- 2) USE GEL CUTTING OIL
- 3) START WITH 1/8" AND INCREASE THE HOLE SIZE IN 1/16" INCREMENTS
- 4) DRILL HOLE IN ONE COMPLETE PASS. START SLOWLY UNTIL REACHING FULL SPEED, WHILE APPLYING CONSISTENT PRESSURE. AVOID STARTING AND STOPPING.



STANCHION ORIENTATION	
ALUMINUM	<p style="text-align: center;">← DIRECTION OF TOP RAIL →</p> <p style="text-align: center;">ALL POSTS 'SQUARE' STANCHION PART #7710</p> <p style="text-align: center;">ATTACHMENT SCREWS: #14x1" SS SELF-TAPPING SCREW, PART #7017</p>
	<p style="text-align: center;">← DIRECTION OF TOP RAIL →</p> <p style="text-align: center;">INTERMEDIATE POSTS END/CORNER POSTS STEEL STANCHION PART #7107</p> <p style="text-align: center;">ATTACHMENT SCREWS: #14x1" SS SELF-TAPPING SCREW, PART #7017 OR 1/4-20 x 3/4" SS MACHINE SCREW, PART #3322</p>
STEEL	<p style="text-align: center;">← DIRECTION OF TOP RAIL →</p> <p style="text-align: center;">INTERMEDIATE POSTS END/CORNER POSTS STEEL STANCHION PART #7107</p> <p style="text-align: center;">ATTACHMENT SCREWS: #14x1" SS SELF-TAPPING SCREW, PART #7017 OR 1/4-20 x 3/4" SS MACHINE SCREW, PART #3322</p>
STAINLESS STEEL	<p style="text-align: center;">← DIRECTION OF TOP RAIL →</p> <p style="text-align: center;">INTERMEDIATE POSTS END/CORNER POSTS STAINLESS STEEL STANCHION PART #7108</p> <p style="text-align: center;">ATTACHMENT SCREWS: 1/4-20 x 3/4" SS MACHINE SCREW, PART #3322</p>

DesignRail® Detail Drawing:
Stanchion Mount with Base Plate

THIS DRAWING IS THE PROPERTY OF FEENEY INC. ANY REPRODUCTION OF THIS DOCUMENT WITHOUT THE EXPRESSED WRITTEN CONSENT OF FEENEY INC. IS STRICTLY PROHIBITED.

DATE:	09/16/15
PAGE:	1 OF 1
REV:	A - 07/19/16
BY:	BWA
CHK:	

feeney
makes it easy
 2603 Union St., Oakland, CA 94607
 P: 800-888-2418 F: 510-788-6041
 www.feeneyinc.com