

4

3

2

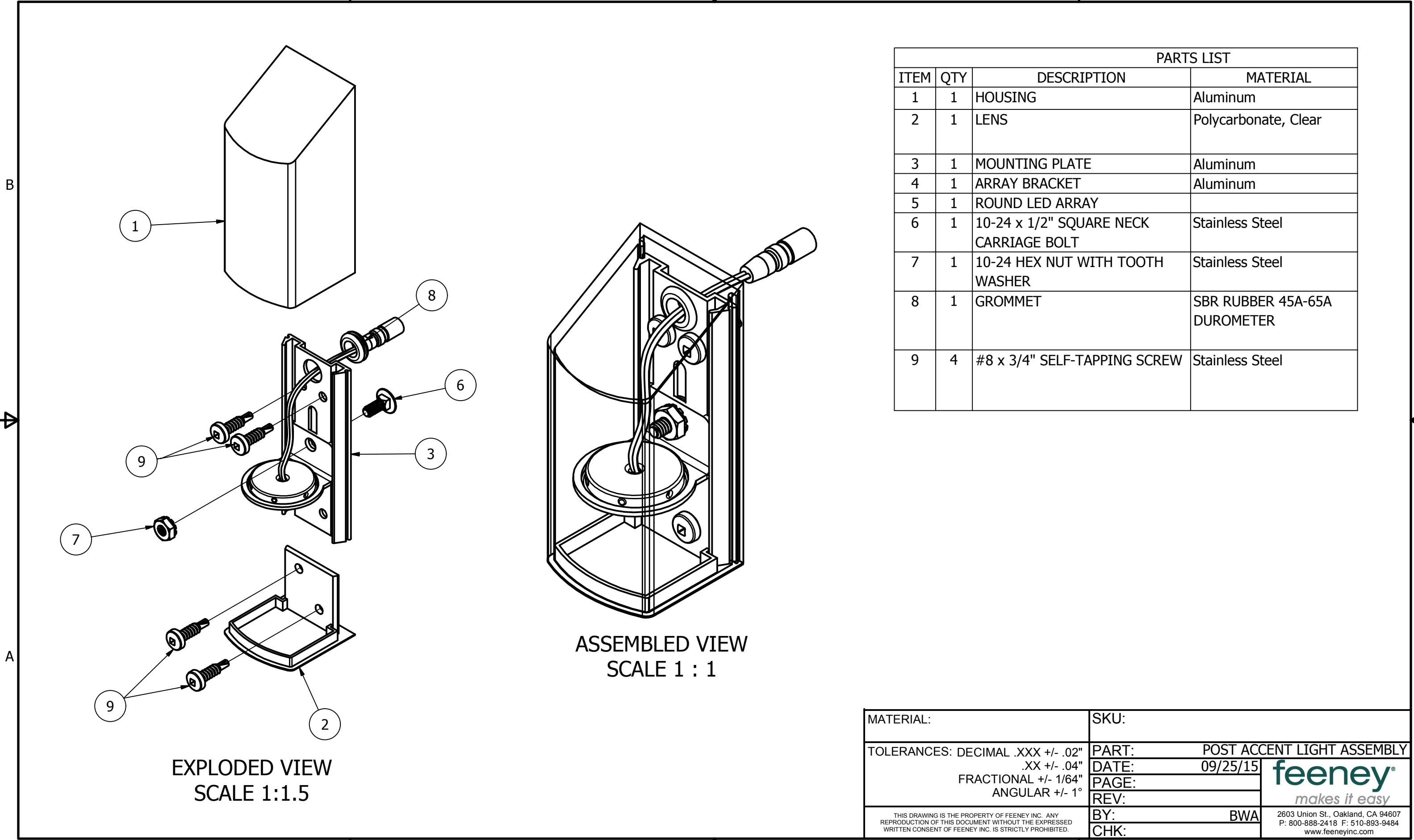
1

B

B

A


A



PARTS LIST			
ITEM	QTY	DESCRIPTION	MATERIAL
1	1	HOUSING	Aluminum
2	1	LENS	Polycarbonate, Clear
3	1	MOUNTING PLATE	Aluminum
4	1	ARRAY BRACKET	Aluminum
5	1	ROUND LED ARRAY	
6	1	10-24 x 1/2" SQUARE NECK CARRIAGE BOLT	Stainless Steel
7	1	10-24 HEX NUT WITH TOOTH WASHER	Stainless Steel
8	1	GROMMET	SBR RUBBER 45A-65A DUROMETER
9	4	#8 x 3/4" SELF-TAPPING SCREW	Stainless Steel

ASSEMBLED VIEW  
SCALE 1 : 1

EXPLODED VIEW  
SCALE 1:1.5

MATERIAL:	SKU:	 <i>makes it easy</i>
TOLERANCES: DECIMAL .XXX +/- .02" .XX +/- .04" FRACTIONAL +/- 1/64" ANGULAR +/- 1°	PART: POST ACCENT LIGHT ASSEMBLY	
	DATE: 09/25/15	
	PAGE:	
	REV:	
	BY: BWA	
	CHK:	
<small>THIS DRAWING IS THE PROPERTY OF FEENEY INC. ANY REPRODUCTION OF THIS DOCUMENT WITHOUT THE EXPRESSED WRITTEN CONSENT OF FEENEY INC. IS STRICTLY PROHIBITED.</small>		<small>2603 Union St., Oakland, CA 94607 P: 800-888-2418 F: 510-893-9484 www.feeneynec.com</small>